

75 cm Built-in Refrigerator Column with internal water dispenser, reversible door

Modern Series

£ 4,499



RLD75S5FPNS

These built-in column refrigerators are masterpieces of Bertazzoni design and technology. Their stylish panel ready reversible front doors reflect close attention to detail and high-quality materials, inside and out.

The Dual Cooling Shield System's automated defrosting of evaporator ensures food stays always fresh. Top and lateral LED lighting gives you perfect all-round visibility.

A variable speed compressor ensures accurate temperature control and energy efficiency. Precise temperature dual zone control for optimal food preservation: the Fresco drawers with independent temperature settings (-1 - +5 °C) allows for optimal storage of meat, cold cuts, shellfish, fish and dairy products.

Internal water dispenser with inline filter for hygienically clean drinking water. Digital LED touch interface with user-friendly controls for temperature, speed-cooling and eco mode. Soft-close crispers with metal trims. Height-adjustable gallon-size door storage bin.

Stainless steel door panel kit available as optional accessory. Stainless steel toe kick included in the unit. Connection kit for multiple installations included in freezer columns. Reversible doors for left or right swing configuration.

[Guarda online](#)

Specifications

Features

General features

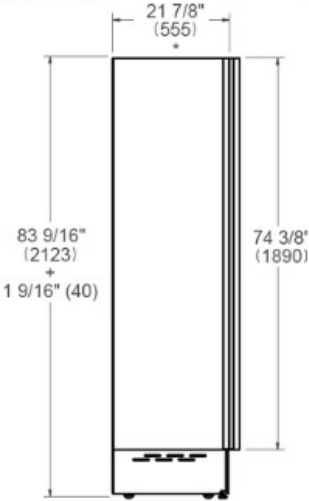
Size	75 cm
Cooling system	No Frost
User interface	internal digital LED touch interface
Display functions	Door ajar alarm, Super Cool, Water filter replacement reminder, Water dispenser, Eco Mode, Vacation Mode, Sabbath Mode
Lighting	LED lights on sides and top
Open door alarm	yes
Door finishing	panel ready
Cabinet finishing	stainless steel back wall
Refrigerator net capacity	470 L
Refrigerator shelves	3 height-adjustable + 1 stationary
Refrigerator drawers	1 crisper + 3 Fresco drawers with separate temperature control
Bins	1 height-adjustable gallon-sized bin + 2 stationary bins
Water filter	internal
Water supply pressure	25-80 PSI (1.7-5.5 BAR)
Sound rating	39 dbA
DOE compliant	yes

Technical specifications

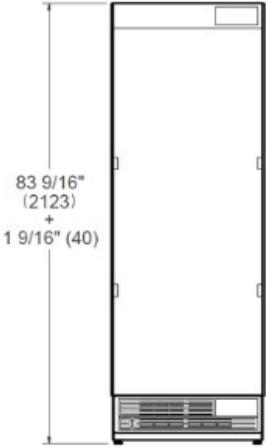
Noise level (dbA)	39
Voltage and frequency	220-240 V - 50/60 HZ - 112W - 2A
Power connection	SCHUKO with 2,3 meters power cord
Annual energy consumption (kWh)	185.0 kWh

Dimensions

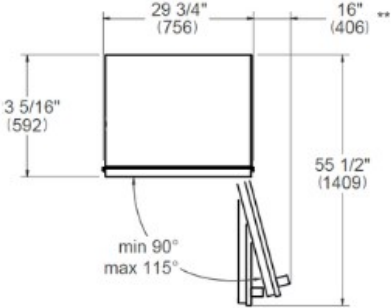
SIDE VIEW



FRONT VIEW



TOP VIEW



* Depth without door
** Maximum Overall Handle Dimension, 3/4" (19) door panel thickness