

75 cm Built-in Refrigerator Column Modern Series

£ 7,699



LRD755UBRPTT/24

These premium built-in column refrigerators are masterpieces of Bertazzoni design and technology. Their stylish stainless-steel front doors reflect close attention to detail and high-quality materials, inside and out. Aluminium and glass surfaces make it easier to maintain hygiene throughout.

The side-mounted evaporator design offers category-leading depth and storage capacity. Top and lateral LED lighting gives you perfect all-round visibility.

Easy to use, the touch-control user interface offers precision temperature control to extend food preservation. A variable speed compressor ensures accurate temperature control and energy efficiency. Efficiency is key: lateral airflow creates a cold air curtain to maintain a consistent temperature even when door is opened frequently. Rapid cooling to optimize the temperature when large amounts of food are loaded.

Proprietary lift & swing hinges allow for flush installation with minimal clearance from surrounding cabinet panels. This allows for elegant configurations of refrigerator, freezer and wine cellar in any desired width.

Bertazzoni column refrigerators are designed with pride in Italy and covered by an industry-leading 2-year parts and labor warranty.

[Guarda online](#)

Specifications

Features

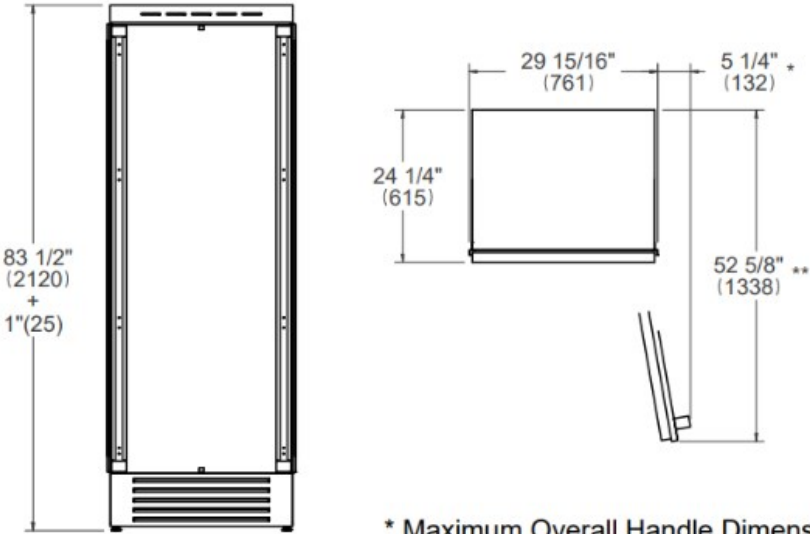
General features

Size	75 cm
Cooling system	lateral air flow
User interface	TFT Touch & Scroll interface
Display functions	Shopping, Vacation, Sabbath mode
Lighting	LED lightening
Open door alarm	yes
Door finishing	panel ready
Interior finish	white coated aluminum
Refrigerator net capacity	494 L
Refrigerator shelves	4 height-adjustable
Crispers	3
Bins	3 bins
Sound rating	41 (dB)
Certification	CE

Technical specifications

Energy class	E
Voltage and frequency	220/240 V - 50/60 Hz - 220 W - 1,2 Amp
Annual energy consumption (kWh)	128.0 kWh/anno

Dimensions



* Maximum Overall Handle Dimension
** Width of 3/4" (19mm) Door Panel