

90cm Built-In Bottom Mount Refrigerator Master Series

£ 8,499



REF905BBRPTT/24

Bertazzoni built-in refrigerators are designed, engineered and made in Italy with the highest grade materials and components. The proprietary 'lift & swing' door hinge system makes them the ideal choice for true flush installation as a single unit or side-by-side.

These built-in refrigerators are built to last forever, employing metal and glass inside and out for better temperature management. The lateral airflow system, with dual compressor and evaporator for refrigerator and freezer, reduces cold air loss when opening doors and allows for category-leading interior depth. The internal configuration is designed for maximum flexibility, with 425 L of refrigerator volume and 131 L of FlexMode volume. The FlexMode Refrigerator-Freezer allows to switch the bottom compartment between freezer and refrigerator with one touch. Interior LED lighting on top and sides provide bright interior illumination on all levels with minimal energy consumption. Integrated water filter connected to water line ensures regular production of ice cubes of customizable size.

Using one of the 3 available handle kits in Professional, Master and Heritage Series style, this refrigerator integrates seamlessly with all other Bertazzoni appliances into style-harmonized suites for a true, high-performing kitchen.

[Handle kits are sold separately.](#)

Guarda online

Specifications

Features

General features

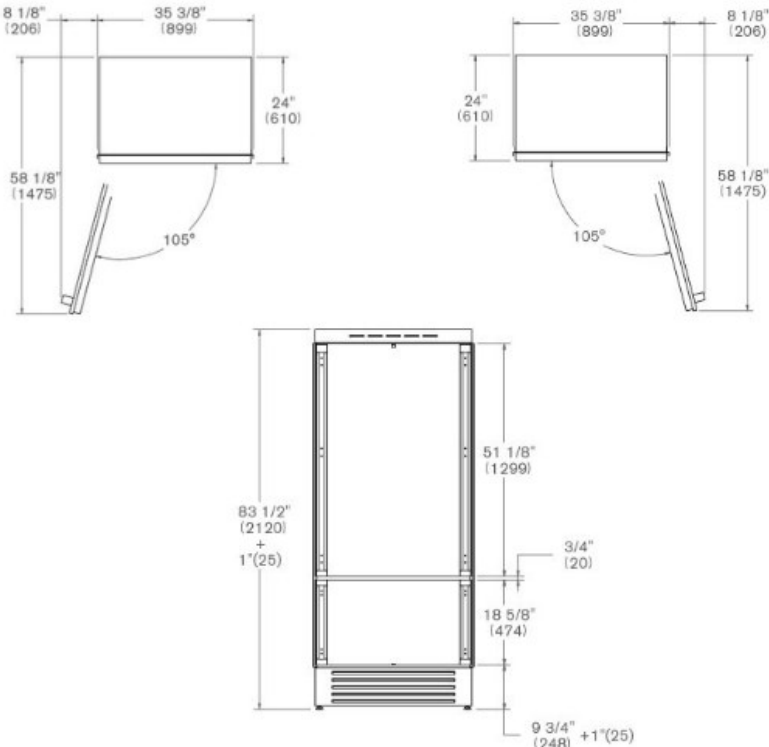
Size	90 cm
Cooling system	Total No Frost
User interface	internal digital TFT touch interface
Display functions	bottle cooler, ice maker, ice cube size, super ice, water filter, flex mode, vacation mode, shopping mode, sabbath mode
Lighting	LED lights on sides and top
Open door alarm	yes
Door finishing	Panel ready or Stainless steel
Cabinet finishing	white aluminum
Refrigerator net capacity	425 L
Wine racks	3
Refrigerator drawers	2
Bins	3 height-adjustable full-width bins
Freezer net capacity	131 L
Freezer drawers	2
Automatic ice maker	yes
Ice production capacity	up to 1,5 kg / 24h
Water filter	internal
Water supply pressure	MIN 0.05 MPA (0.5BAR) MAX 0.5 MPA (5 BAR)
Sound rating	41 dbA

Technical specifications

Energy class	E
Voltage and frequency	220-240V, 50/60 Hz

Dimensions

Panel Ready



Panel Installed

