

60 cm Built-in Wine Column Master Series

€ 10.700



WC605BRP2T

These premium built-in column wine cellars are masterpieces of Bertazzoni design and technology. Their stylish stainless-steel and glass front doors reflect close attention to detail and high-quality materials.

Designed to keep your wine at its best, it offers a high level of control with 2 temperature zones for red and white wine that cool between 40° F and 65° F. The unique side-to-side airflow circulation maintains the correct temperature in each zone when opening the door for reloading.

The intuitive digital touch-control interface let you select the perfect temperature range and control the humidity. Red wine ageing function lets you lay down the bottles that will be kept in the best condition possible. It's equipped with glass with anti-UV treatment protects bottles from ultraviolet rays and light damage. A vibration damping system on the compressor lets wine rest undisturbed. Custom lighting keeps the lights on for 12 hours for maximum visual impact.

Designed to allow for elegant configurations of wine cellar, refrigerator and freezer in any desired width.

Using one of the 3 available handle kits in Professional, Master and Heritage Series style, this refrigerator integrates seamlessly with all other Bertazzoni appliances into style-harmonized suites for a true, high-performing kitchen.

Handle kits are sold separately.

Bertazzoni built-in column wine cellars are designed with pride in Italy and covered by an industry-leading 2-year parts and labor warranty.

Specifications

Features

General features

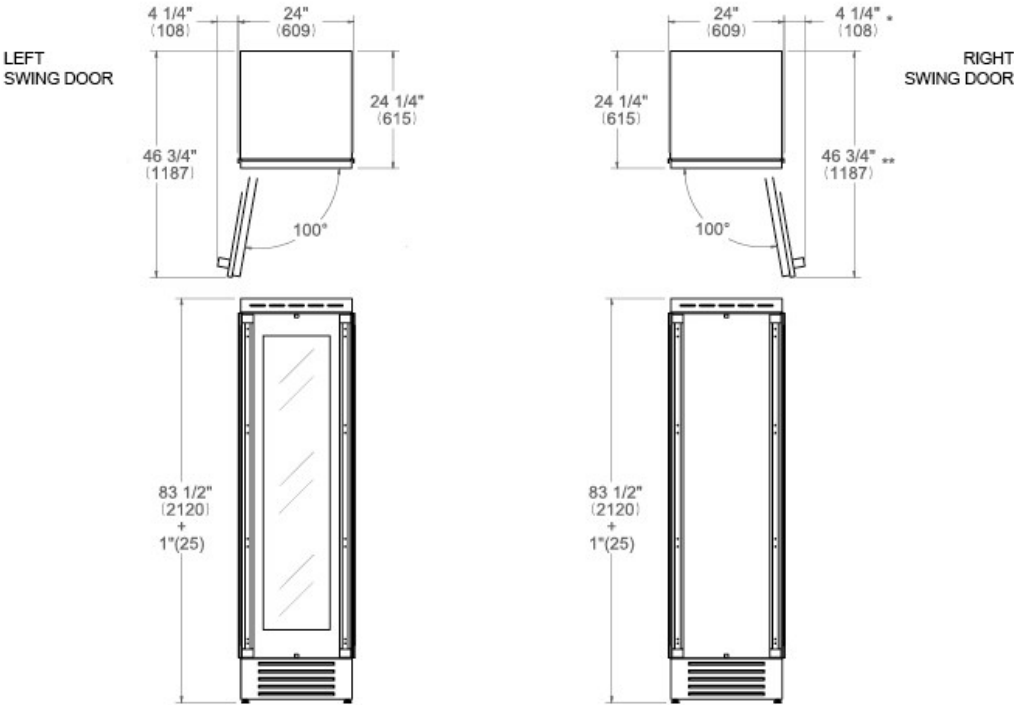
Size	60 cm
Cooling system	two temperature zones
User interface	TFT Touch & Scroll interface
Display functions	Humidity control, Sabbath mode
Lighting	LED lightening
Open door alarm	yes
Door finishing	Panel ready or Stainless steel
Interior finish	white coated aluminum
Wine racks	12 wooden wine racks
Bottle capacity	80 bottles
Sound rating	41 (dB)
Certification	CE

Technical specifications

Voltage and frequency	220/240 V - 50/60 Hz - 130 W - 0,7 Amp
Annual energy consumption (kWh)	169 kWh/yr

Dimensions

Panel Ready



Panel Installed

