

60 cm Built-in Freezer Column Master Series

£ 7,849



FRZ605UBLPTT/24

These premium built-in column freezers are masterpieces of Bertazzoni design and technology. Their stylish stainless-steel front doors reflect close attention to detail and high-quality materials, inside and out.

The large capacity cavity offers versatile storage with 2 height-adjustable shelves, plus the top of the ice maker acting as another shelf. 2 drawers and 2 height-adjustable door bins complete the picture.

Intuitive temperature controls allow for total accuracy with a digital user interface and TFT display. The variable speed compressor offers optimal temperature control including rapid freezing and lateral air circulation keeps the entire freezer at the same temperature throughout. You can select ice cube size with the automatic ice maker with water filter and increase ice production up to 50% with Super Ice function.

Proprietary lift & swing hinges allow for flush installation with minimal clearance from surrounding cabinet panels. This allows for elegant configurations of refrigerator, freezer and wine cellar in any desired width.

Using one of the 3 available handle kits in Professional, Master and Heritage Series style, this refrigerator integrates seamlessly with all other Bertazzoni appliances into style-harmonized suites for a true, high-performing kitchen.

[Handle kits are sold separately.](#)

Bertazzoni column freezers are designed with pride in Italy and covered by an industry-leading 2-year parts and labor warranty.

Specifications

Features

General features

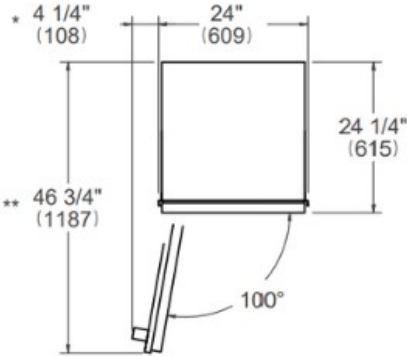
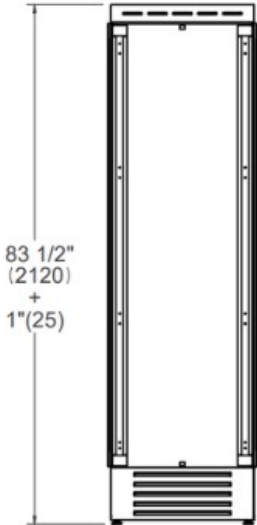
Size	60 cm
User interface	TFT Touch & Scroll interface
Display functions	Shopping, Vacation, Bottle cooler, Ice maker, Water filter, Super ice, Sabbath mode
Lighting	LED lightening
Open door alarm	yes
Door finishing	Panel ready or Stainless steel
Interior finish	white coated aluminum
Refrigerator shelves	2
Bins	2 bins
Freezer net capacity	342 L
Freezer drawers	2
Automatic ice maker	yes
Ice production capacity	1kg/24h
Water filter	yes
Water supply pressure	min 0.05 MPA (0.5 bar) max 0.5 MPA (5 bar)
Sound rating	41 (dB)
Certification	CE

Technical specifications

Energy class	E
Voltage and frequency	220/240 V - 50/60 Hz - 275 W - 1,5 Amp
Annual energy consumption (kWh)	271.0 kWh/anno

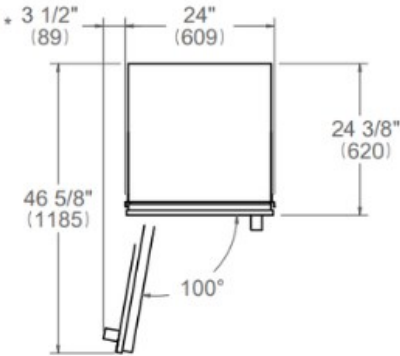
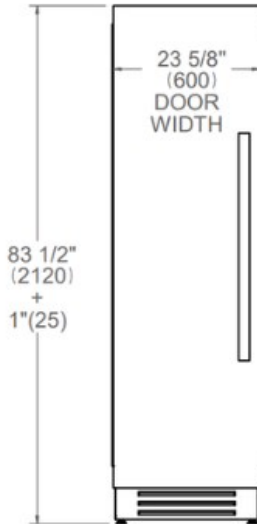
Dimensions

Panel Ready



* Maximum Overall Handle Dimension
** Width of 3/4" (19mm) Door Panel

Panel Installed



* Maximum Overall Handle Dimension