

45 cm Slot-in Wine Column Master Series



RWC45S5TPRS

Designed to keep your wine at its best, this built-in column wine cellar offers precise control with three temperature zones for red and white wines, cooling between 5°C and 20°C. Featuring zone-dedicated evaporators, a UV light-shielding glass window, and a vibration-free variable speed compressor, it preserves the unique character of your favorite wine and champagne, ensuring optimal storage conditions for each bottle.

Access temperature for each zone and interior lighting settings through the intuitive digital touch control interface which let you select the perfect temperature range.

Designed to allow for elegant configurations of wine cellar, refrigerator and freezer in any desired width. Using one of the 3 available handle kits in Professional, Master and Heritage Series style, these premium built-in column wine cellars integrates seamlessly with all other Bertazzoni appliances into style-harmonized suites for a true, high-performing kitchen.

Door panels and handle kits are sold separately.

Bertazzoni built-in column wine cellars are covered by 2-year warranty.

[Guarda online](#)

Specifications

Features

General features

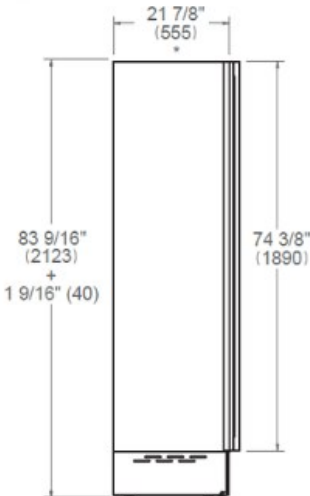
Size	45 cm
Cooling system	three temperature zones
User interface	internal digital LED touch interface
Display functions	entertainment mode, light color selection, sabbath mode, showroom mode
Lighting	LED lights interior illumination
Open door alarm	yes
Door finishing	Panel ready or Stainless steel
Interior finish	stainless steel back wall
Wine racks	14 wooden wine racks
Bottle capacity	68 bottles
Sound rating	39 (dB)
Certification	CB, CE

Technical specifications

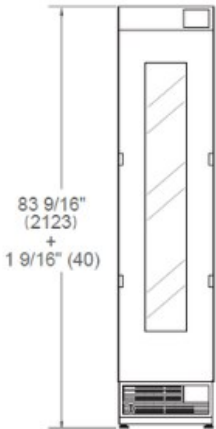
Energy class	G
Voltage and frequency	220/240 V - 50/60 Hz - 150 W - 1,5 Amp
Power connection	SCHUKO with 2,3 meters power cord
Annual energy consumption (kWh)	164 kWh/yr

Dimensions

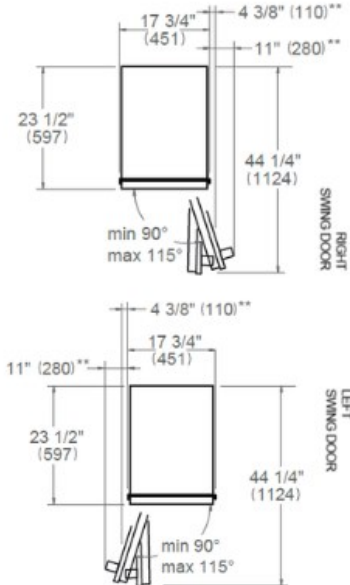
SIDE VIEW



FRONT VIEW



TOP VIEW



* Depth without door
** Maximum Overall Handle Dimension,
3/4" (19) door panel thickness