



Built-in ovens	4
Built-in hobs	26
Cookers	56
Hoods	82
Fridges & wine columns	104
Dishwashers	140
Built-in coffee machine	150
Accessories	154



Discover the
new Catalogue

Overview

Bertazzoni appliances are designed to work together to create design harmony in your kitchen. The products in the Professional, Master and Heritage Series can be combined to create the ideal set-up that suits your aesthetic and cooking style. Versatility is key, with a choice of technologies and designs that work together seamlessly. Select the perfect combination for you from the following pages to build your unique kitchen – the true heart of your home, where you can share the Bertazzoni joy of family, food and engineering.

Built-in ovens



Steam ovens









Electric and gas
multifunction ovens





Microwave and
warming drawers













Steam ovens

60		45	
Professional Series			
			
FPRO6117CTX3 total steam, pyrolytic, tft display	F457PROVTX combi steam	FMOD6117CTX3 total steam, pyrolytic, tft display	F457MODVTX combi steam
X N	X N	X N Z C B G S M	X N Z C
Heritage Series			
			
FHER6117CTNX3 total steam, pyrolytic, tft display	F457HERVTNE combi steam		
NX AX AG	NE AX AG		









Electric multifunction ovens

76		90	
Professional Series			
			
F30PROXT pyrolytic, lcd display	F909PROEKX multi 9, oven capacity 100L		
X	X N		




Electric multifunction ovens

60			
Professional Series			
			
FPRO6117PTX3 pyrolytic, tft display	F6011PROPLX/23 pyrolytic, lcd display	F6011PROELX lcd display	F609PROESX led display
X N	X N	X N	X N
Modern Series			
			
FMOD6117PTX3 pyrolytic, tft display	F6011MODPLX/23 pyrolytic, lcd display	F6011MODELX lcd display	F609MODESX led display
X N Z C B G S M	X N Z C	X N Z C	X
			
FMOD6115PLB2 pyrolytic, lcd display	FMOD6115ELB1 lcd display	FMOD6093ESB1 led display	
B	B	B	
Heritage Series			
			
F609HEREKTNE thermometer			
NE AX AG			

Microwave

60x45	60x38	76x48
Professional Series		
		
FPRO4077MTX3 combi, tft display	F457PROMWSX combi	F30PROMWLXT combi, lcd display
X N	X	X
Modern Series		
		
FMOD4077MTX3 combi, tft display	F383MODMWSX combi, upside down	
X N Z C B G S M	X N	
		
FMOD4053MLB1 combi, lcd display	FMOD3053WLB1 combi, lcd display	
B	B	
Heritage Series		
		
FHER4077MTNX3 combi, tft display		
NE AX AG		

Warming drawers

60x12	60x12	60x12
Professional Series		
		
WD60PROX	WD60X	WD60HERNE
X N	X N Z C B G S M	NE A

Steam Ovens

Professional Series

NEW



FPRO6117CTX3

60cm total steam, pyrolytic, 11 functions, TFT display

Features

- oven capacity 76L
- metal knobs and handle
- TFT touch display with Bertazzoni Assistant
- self-cleaning system: Hydro Cleaning and Pyrolytic Cleaning (with Eco function)
- assisted steam function and Total Steam function
- 1 stainless steel wire oven rack, 1 telescopic guide
- 1 standard tray, 1 deep tray, 1 2/3 Gastronorm steam tray, 1 tray rack
- 2 lateral lights
- multisense meat probe and Air Frying function
- soft-close door with removable quadruple-glass interior
- oven temperature range: 30°C - 300°C

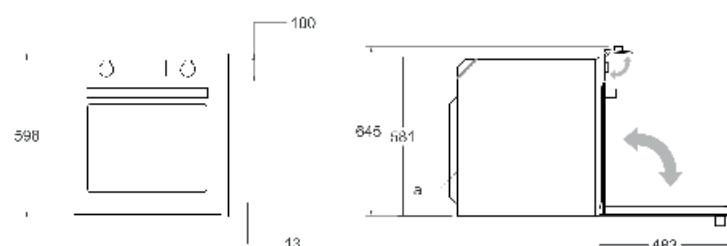
Oven Functions



Energy rating A++



FPRO6117CTN3 carbonio



Cabinet Measures W 560-570, H 580-585, D 565-580



Modern Series

FMOD6117CTX3

60cm total steam, pyrolytic, 11 functions, TFT display

Features

- oven capacity 76L
- full touch control with glass-finish handle
- TFT display with Bertazzoni Assistant
- self-cleaning system: Hydro Cleaning and Pyrolytic Cleaning (with Eco function)
- steam-assisted cooking and full steam function
- 1 stainless steel wire oven rack, 1 telescopic guide
- 1 standard tray, 1 deep tray, 1 2/3-size Gastronorm steam tray, 1 tray grid
- 2 lateral lights
- multisense meat probe and Air Frying function*
- soft-close door with removable quadruple-glass inner panel
- oven temperature range: 30°C - 300°C

Oven Functions



Energy rating A++

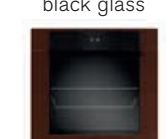
* Except zinc and copper finishes



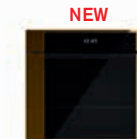
FMOD6117CTN3 carbonio

FMOD6117CTB3 black glass

F6011MODVPTZ/23 zinc



F6011MODVPTC/23 copper



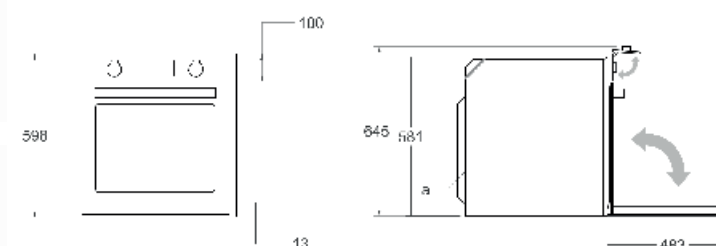
FMOD6117CTG3 mirror gold



FMOD6117CTS3 mirror obsidian



FMOD6117CTM3 mirror bronze



Cabinet Measures W 560-570, H 580-585, D 565-580



F457PROVTX

60x45cm combi steam, TFT display

Features

- oven volume 31 L
- metal handle and knobs
- 15 auto cooking modes
- 7 oven functions
- 1 wire shelf
- 1 stainless steel tray - 1 perforated tray
- 4 oven levels
- 1 oven light
- stainless steel cavity finishing
- soft opening door with double glass

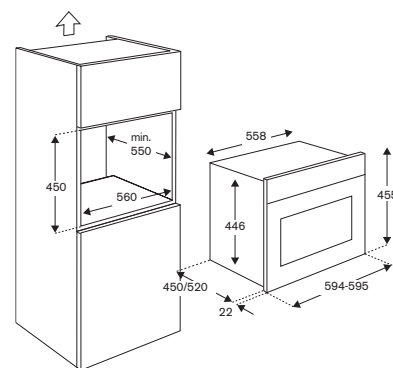
Oven Functions



Energy rating A



F457PROVTN carbonio



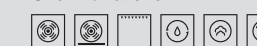
F457MODVTX

60x45cm combi steam, TFT display

Features

- oven volume 31 L
- full touch with glass finishes handle
- 15 auto cooking modes
- 7 oven functions
- 1 wire shelf
- 1 stainless steel tray - 1 perforated tray
- 4 oven levels
- 1 oven light
- stainless steel cavity finishing
- soft opening door with double glass

Oven Functions



Energy rating A



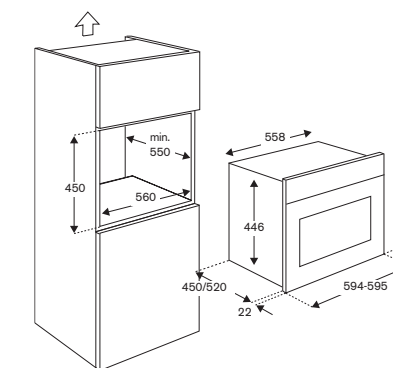
F457MODVTN carbonio



F457MODVTZ zinc



F457MODVTC copper



Heritage Series

Electric Multifunction ovens

Professional Series

FHER6117CTNX3

60cm total steam, electric pyrolytic, 11 functions, TFT display

Features

- oven capacity 76L
- metal knobs and handle
- TFT touch display with Bertazzoni Assistant
- self-cleaning system: Hydro Cleaning and Pyrolytic Cleaning (with Eco function)
- assisted steam function and Total Steam function
- 1 stainless steel wire oven rack, 1 telescopic guide
- 1 standard tray, 1 deep tray, 1 2/3 Gastronorm steam tray, 1 tray rack
- 2 lateral lights
- multisense meat probe and Air Frying function
- soft-close door with removable quadruple-glass interior
- oven temperature range: 30°C - 300°C

Oven Functions



Energy rating **A++**

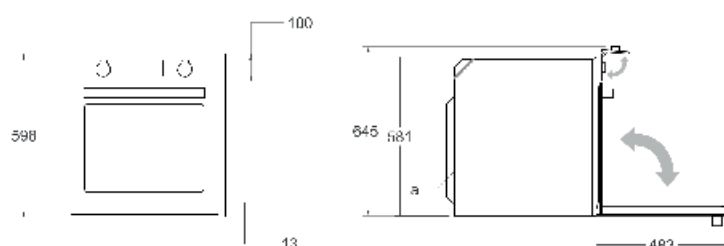


FHER6117CTAX3
ivory / stainless steel

NEW



FHER6117CTAG3
ivory / gold



Cabinet Measures W 560-570, H 580-585, D 565-580



F30PROXT

76cm electric pyrolytic, LCD display

Features

- oven capacity 116L
- metal knobs and handle
- LCD touch display with Bertazzoni Assistant
- 33 cooking sequences
- meat probe
- 7 cooking levels
- 1 telescopic guide
- 1 oven rack
- 1 standard tray, 1 tray grid
- dual diagonal lighting
- soft-close door with removable quadruple-glass inner pane

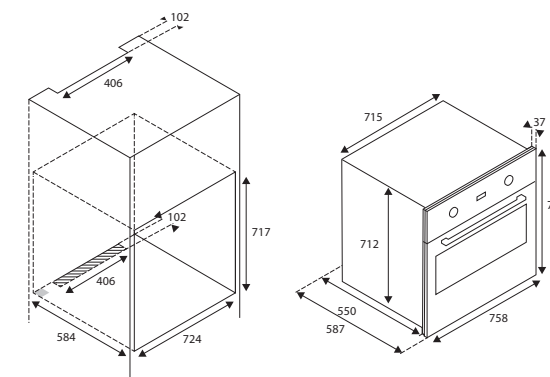
Oven Functions



Energy rating **A**

Optional Accessories

- 901272 porcelain tray
- 901273 glass tray
- 901511 telescopic glide shelves



F457HERVTNE

60x45cm combi steam, TFT display

Features

- oven volume 31 L
- metal handle and knobs
- 15 auto cooking modes
- 7 oven functions
- 1 wire shelf
- 1 stainless steel tray - 1 perforated tray
- 4 oven levels
- 1 oven light
- stainless steel cavity finishing
- soft opening door with double glass

Oven Functions



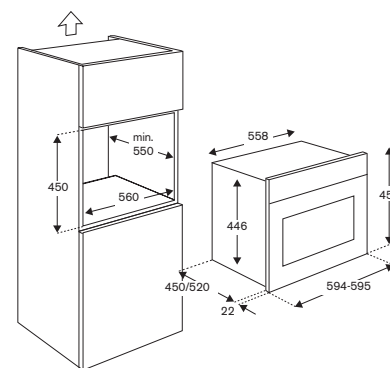
Energy rating **A**



F457HERVPTAX
ivory / stainless steel



F457HERVPTAG
ivory / gold



F909PROEKX

90cm electric multifunction

Features

- oven capacity 100L
- metal knobs and handle
- 1 standard rack
- 1 standard tray
- 2 lights
- 5 cooking levels
- removable double-glass inner door for easy cleaning

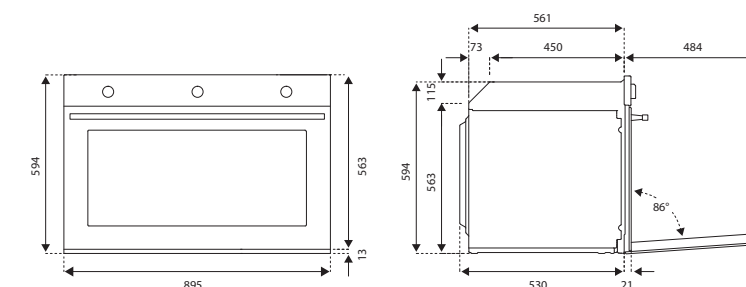
Oven Functions



Energy rating **A**



F909PROEKN
nero matt



Professional Series

FPRO6117PTX3

60cm electric pyrolytic, 11 functions, TFT display

Features

- oven capacity 76L
- metal knobs and handle
- TFT touch display with Bertazzoni Assistant
- pyrolytic self-cleaning system (with Eco function)
- 1 stainless steel wire rack, 1 shaped stainless steel rack
- 1 telescopic guide
- 1 standard tray, 1 deep tray, 1 tray grid
- 2 side lights
- multisense meat probe and Air Frying function
- soft-close door with removable quadruple-glass interior
- oven temperature: 30°C - 300°C

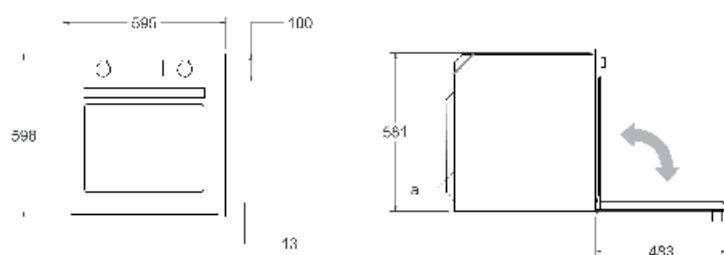
Oven Functions



Energy rating A++



FPRO6117PTN3
carbonio



Cabinet Measures W 560-570, H 580-585, D 565-580

Professional Series

F6011PROELX

60cm, electric 11 functions, LCD display

Features

- oven volume 76 L
- metal handle and knobs
- LCD display touch with Bertazzoni Assistant
- Hydro cleaning system
- 1 heavy duty flat wire shelf, 1 heavy duty shaped wire shelf
- 1 Enamelled Tray
- 2 lateral lights
- single point food probe
- soft opening and closing door triple quadruple glass
- oven temperature range 30°C-300°C

Oven Functions

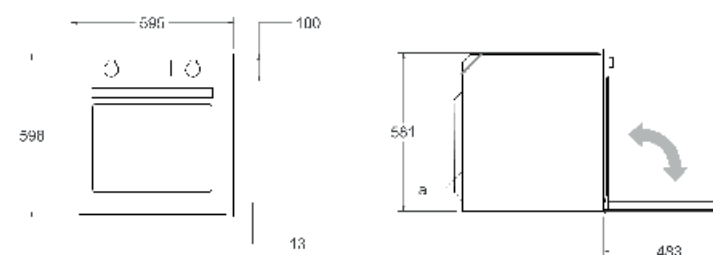


Energy rating A++

Optional Accessories
901490 glide shelves



F6011PROELN
carbonio



Cabinet Measures W 560-570, H 580-585, D 565-580

F6011PROPLX/23

60cm electric pyrolytic, 11 functions, LCD display

Features

- oven capacity 76L
- metal knobs and handle
- pyrolytic self-cleaning system (with Eco function)
- 1 stainless steel wire rack, 1 shaped stainless steel rack
- 1 standard tray
- 2 side lights
- single-position meat probe
- soft-close door with removable quadruple-glass interior
- oven temperature: 30°C - 300°C

Oven Functions

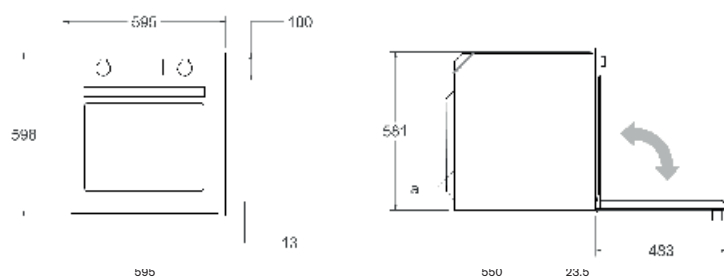


Energy rating A++

Optional Accessories
- 901490 glide shelves



F6011PROPLN/23
carbonio



Cabinet Measures W 560-570, H 580-585, D 565-580

F609PROESX

60cm, electric 9 functions, LED display

Features

- oven volume 76 L
- metal handle and knobs
- easy to clean enamel
- 1 heavy duty flat wire shelf
- 1 Enamelled Tray
- 1 rear light
- standard door with double glass
- oven temperature range 50°C-270°C

Oven Functions

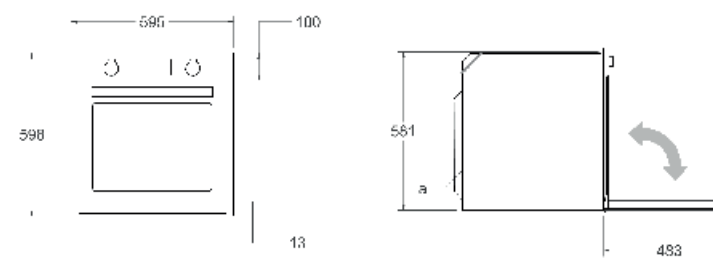


Energy rating A

Optional Accessories
- 901490 glide shelves



F609PROESN
carbonio



Cabinet Measures W 560-570, H 580-585, D 565-580

Modern Series



F6011MODPTX3

60cm, electric pyrolytic 11 functions, TFT display

Features

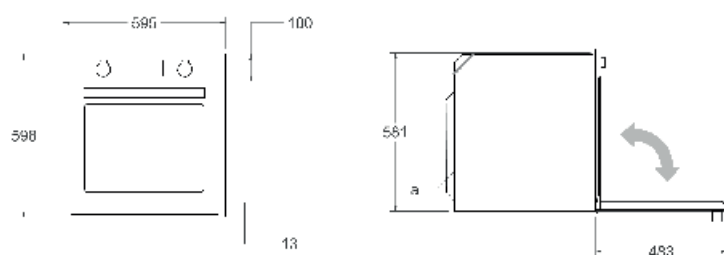
- oven capacity 76L
- full touch control with glass-finished handle
- TFT display with Bertazzoni Assistant
- pyrolytic self-cleaning system (with Eco function)
- 1 stainless steel wire rack, 1 shaped stainless steel rack
- 1 telescopic guide
- 1 standard tray, 1 deep tray, 1 tray grid
- 2 side lights
- multisense meat probe and Air Frying function
- soft-close door with removable quadruple-glass interior
- oven temperature: 30°C - 300°C

Oven Functions



Energy rating **A++**

* Except zinc and copper finishes



Cabinet Measures W 560-570, H 580-585, D 565-580



F6011MODPTN3
carbonio



F6011MODPTZ/23
zinc

F6011MODPTB3
black glass



F6011MODPTG3
mirror gold

F6011MODPTC/23
copper



F6011MODPTS3
mirror obsidian



F6011MODPTM3
mirror bronze

Modern Series



F6011MODELX

60cm, electric 11 functions, LCD display

Features

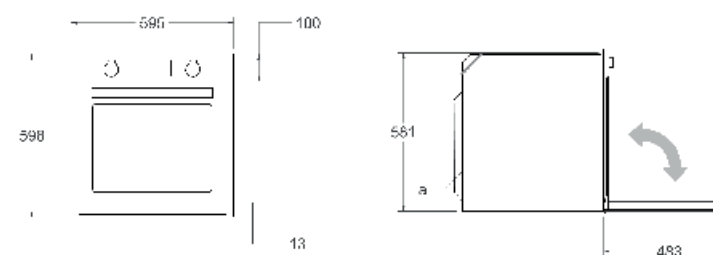
- oven volume 76 L
- full touch with glass finishes handle
- LCD display touch with Bertazzoni Assistant
- Hydro cleaning system
- 1 heavy duty flat wire shelf, 1 heavy duty shaped wire shelf
- 1 Enamelled Tray
- 2 lateral lights
- single point food probe
- soft opening and closing door triple glass
- oven temperature range 30°C-300°C

Oven Functions



Energy rating **A++**

Optional Accessories
- 901490 glide shelves



Cabinet Measures W 560-570, H 580-585, D 565-580



F6011MODELN
carbonio



F6011MODELZ
zinc



F6011MODELX
copper

F6011MODPLX/23

60cm, electric pyrolytic 11 functions, LCD display

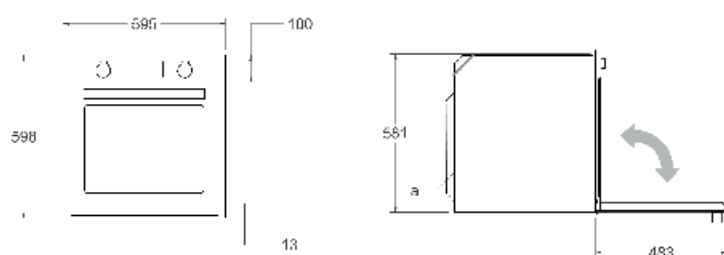
Features

- oven volume 76 L
- full touch with glass finishes handle
- Pyrolytic cleaning (with ECO function) system
- 1 heavy duty flat wire shelf, 1 heavy duty shaped wire shelf
- 1 Enamelled Tray
- 2 lateral lights
- single point food probe
- soft opening and closing door with quadruple glass
- oven temperature range 30°C-300°C

Oven Functions



Energy rating **A++**



Cabinet Measures W 560-570, H 580-585, D 565-580



F6011MODPLN/23
carbonio



F6011MODPLZ/23
zinc



F6011MODPLC/23
copper

F609MODESX

60cm, electric 9 functions, LED display

Features

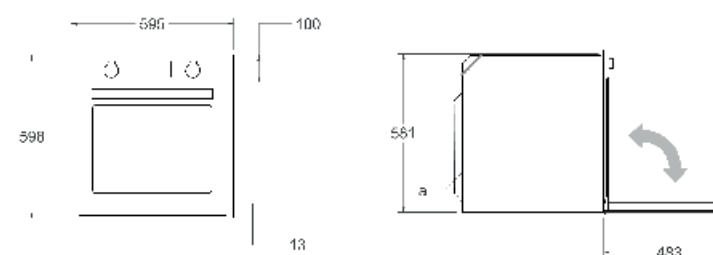
- oven volume 76 L
- soft touch knobs
- glass finishes handle
- easy to clean enamel
- 1 heavy duty flat wire shelf
- 1 Enamelled Tray
- 1 rear light
- standard door with double glass
- oven temperature range 50°C-270°C

Oven Functions



Energy rating **A**

Optional Accessories
- 901490 glide shelves



Cabinet Measures W 560-570, H 580-585, D 565-580

Modern Series



FMOD6115PLB2

60cm electric pyrolytic, 11 functions, LCD display

Features

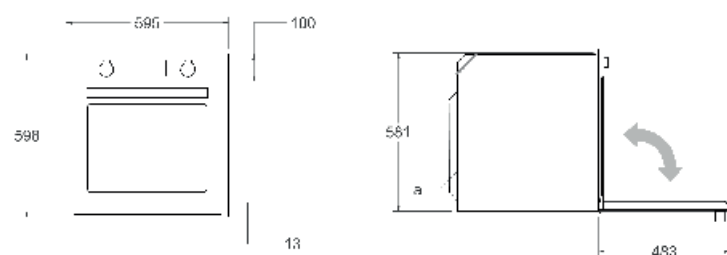
- oven capacity 76L
- full touch control with glass-finished handle
- LCD display with Bertazzoni Assistant
- pyrolytic self-cleaning system (with Eco function)
- 1 premium rack
- 1 standard tray
- 2 side lights
- soft-close door with removable quadruple-glass interior
- oven temperature: 30°C - 300°C

Oven Functions



Energy rating A++

Optional Accessories
- 901490 glide shelves



Modern Series



FMOD6093ESB1

60cm Electric Oven, 9 Functions, LED Display

Features

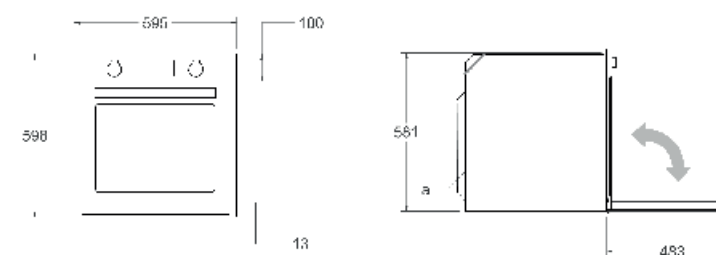
- oven capacity: 76L
- soft-touch knobs
- handle with glass finish
- easy-to-clean enamel
- 1 premium wire shelf
- 1 standard tray
- 1 rear light
- standard door with removable inner double glass
- oven temperature: 50°C - 270°C

Oven Functions



Energy rating A++

Optional Accessories
- 901490 glide shelves



FMOD6115ELB1

60cm electric, 11 functions, LCD display

Features

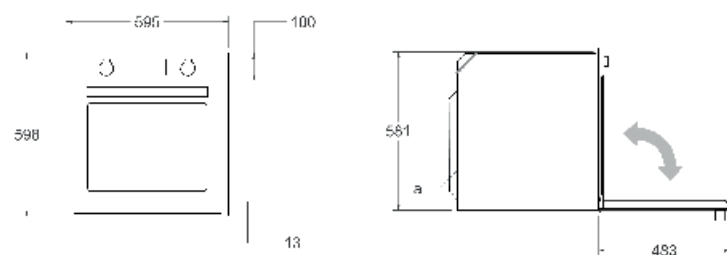
- oven capacity 76L
- full touch control with glass-finished handle
- LCD display with Bertazzoni Assistant
- hydro cleaning self-cleaning system
- 1 premium rack
- 2 standard trays
- 2 side lights
- soft-close door with removable triple-glass interior
- oven temperature: 30°C - 300°C

Oven Functions



Energy rating A++

Optional Accessories
- 901490 glide shelves



Heritage Series



F609HEREKTNE

60cm, electric 9 functions

Features

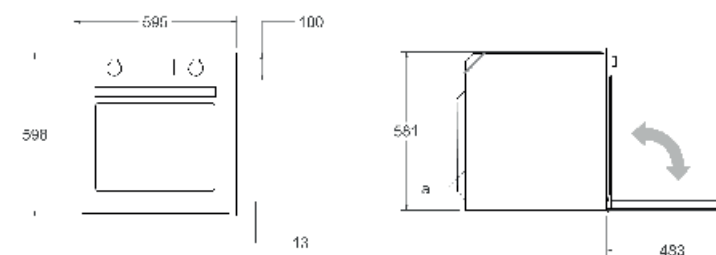
- oven volume 76 L
- metal knobs and handle
- analogic thermometer
- easy to clean enamel
- 1 heavy duty flat wire shelf
- 1 Enamelled Tray
- 1 rear light
- standard door with double glass
- oven temperature range 50°C-270°C

Oven Functions



Energy rating A

Optional Accessories
- 901490 glide shelves



Microwaves

Professional Series

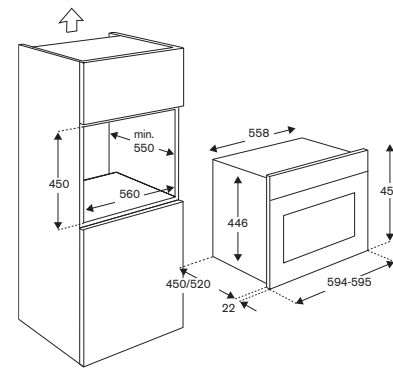


FPRO4077MTX3
60x45cm combi microwave

Features

- oven capacity 38L
- metal knobs and handle
- TFT touch display
- 15 preset cooking programs
- 7 functions
- 2 cooking levels
- 1 oven rack
- 1 glass tray
- 1 light
- soft-close door

Oven Functions



Professional Series

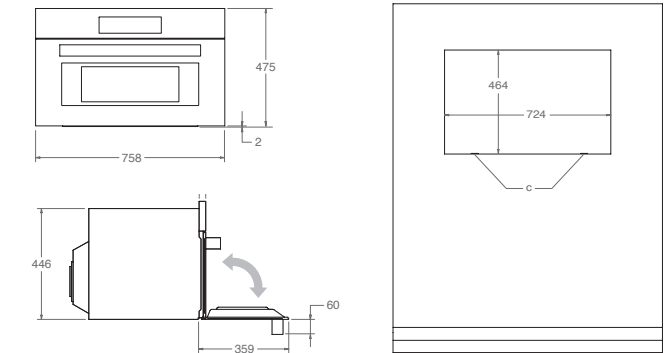


F30PROMWLXT
76x48cm combi microwave

Features

- oven capacity 38L
- metal knobs and handle
- LCD touch display
- 15 preset cooking programs
- 4 functions
- 5 cooking levels
- 1 oven rack
- 1 glass tray
- 1 rotating tray
- 1 light
- soft-close door

Oven Functions

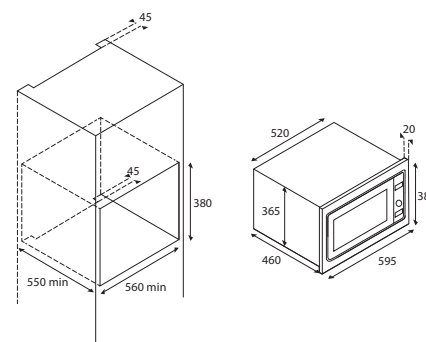


F457PROMWSX
60x38 combi microwave

Features

- oven volume 25 L
- controls with buttons
- LED display
- 10 pre-set autoc ooking modes
- 7 functions
- 2 oven levels
- 1 turntable diam. 315mm
- 1 light
- door release button opening system

Oven Functions



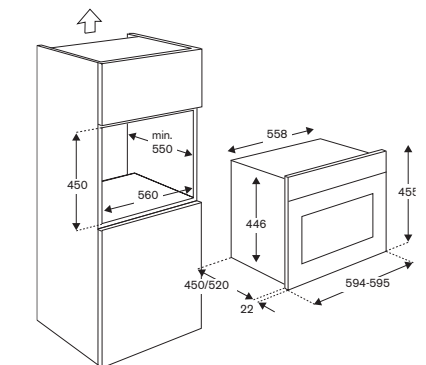
Modern Series

FMOD4077MTX3
60x45cm combi microwave

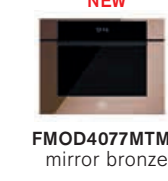
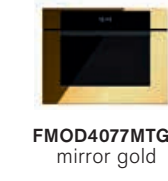
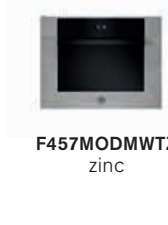
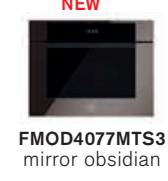
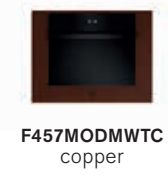
Features

- oven capacity 38L
- full touch control with glass-finished handle
- TFT touch display
- 15 preset cooking programs
- 7 functions
- 2 cooking levels
- 1 oven rack
- 1 glass tray
- 1 light
- soft-close door

Oven Functions



NEW



Modern Series

F383MODMWSX

60x38 microwave upside down

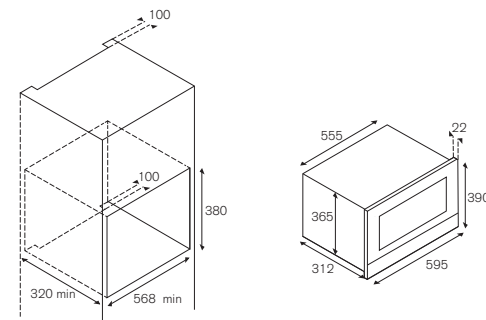
Features

- oven volume 22 L
- pull push knobs
- LED display
- 5 power levels
- 3 functions
- 2 oven levels: microwave + grill
- 1 light
- stainless steel oven cavity
- left door hinges opening system

Oven Functions



F383MODMWSGNE
black glass



Modern Series

NEW

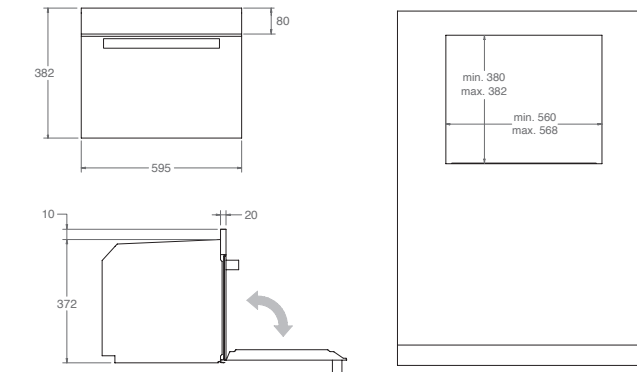
FMOD3053WLB1

60x38cm combi microwave, LCD display

Features

- oven capacity 34L
- glass-finished handle
- LCD touch display
- 6 preset cooking programs
- 3 functions
- 5 microwave power levels
- 1 rotating plate
- 1 glass tray
- 1 light
- standard door with single glass

Oven Functions



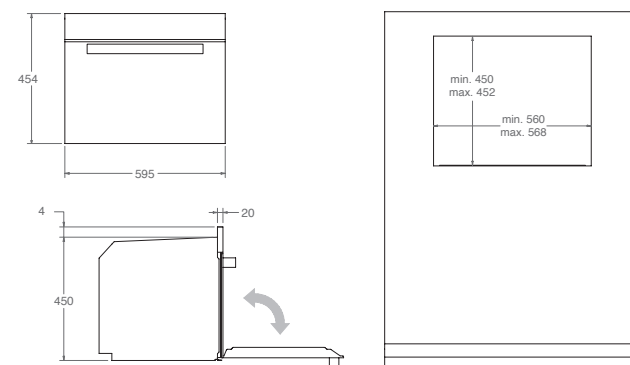
FMOD4053MLB1

60x45cm combi microwave, LCD display

Features

- oven capacity 50L
- glass-finished handle
- LCD touch display
- 13 preset cooking programs
- 3 functions
- 5 microwave power levels
- 1 oven rack
- 1 glass tray
- 1 light
- modular door with triple glass

Oven Functions



Heritage Series

FHER4077MTNX3

60x45cm combi microwave

Features

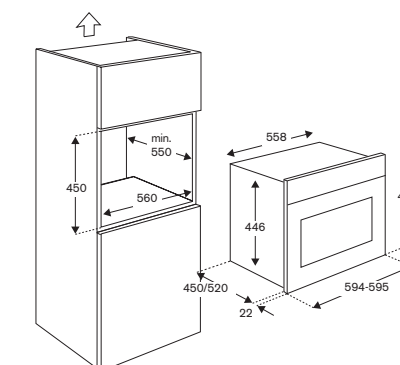
- oven capacity 38L
- metal knobs and handle
- TFT touch display
- 15 preset cooking programs
- 7 functions
- 2 cooking levels
- 1 oven rack
- 1 glass tray
- 1 light
- soft-close door

Oven Functions



FHER4077MWTAX3
ivory / stainless steel

FHER4077MWTAG3
ivory / gold



Warming drawer

Professional Series

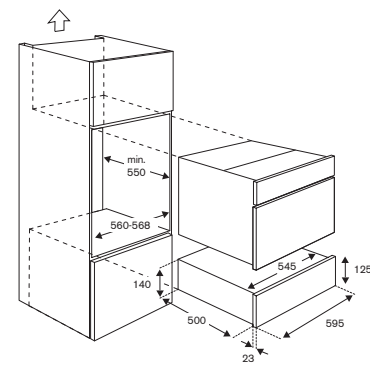
WD60PROX
60x12cm warming drawer

Features

- carrying capacity 25 Kg
- push/pull with soft motion operation
- temperature range 30°C - 85°C
- inner rubber matt
- thermostat light on / off



WD60PRON
carbonio



Heritage Series

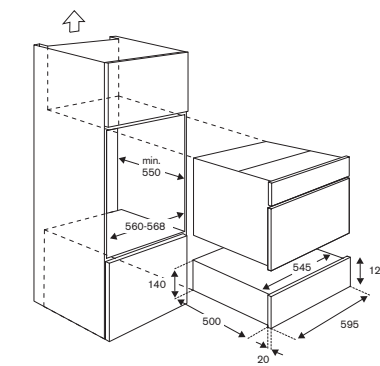
WD60HERNE
60x12cm warming drawer

Features

- carrying capacity 25 Kg
- push/pull with soft motion operation
- temperature range 30°C - 85°C
- inner rubber matt
- thermostat light on / off



WD60HERA
ivory



Modern Series

WD60X
60x12cm warming drawer

Features

- carrying capacity 25 Kg
- push/pull with soft motion operation
- temperature range 30°C - 85°C
- inner rubber matt
- thermostat light on / off



WD60N
carbonio



WD60Z
zinc



WD60C
copper



WD60B
black glass



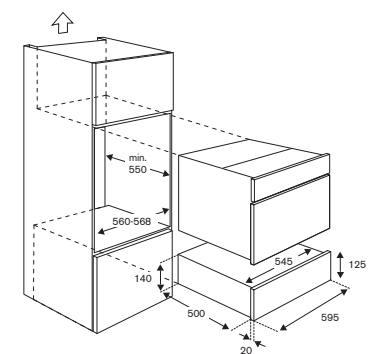
WD60G
mirror gold



WD60S
mirror obsidian



WD60M
mirror bronze



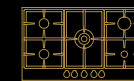
Built-in Hobs



Induction hobs with integrated hood






Induction hobs






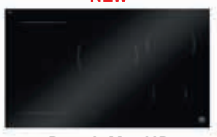





Gas hobs




Induction hobs with integrated hoods


90	80	60
	NEW 	NEW 
P9041BH2M30NT rear hood	P8041CH2M30NT central hood	P8041CH30NP central hood
N	N	N

Induction hobs











90		78	
NEW 	NEW 	NEW 	NEW 
P90511M37XT 5 zones, metal frame, tft display	P90511M37NT 5 zones, tft display	P78411M37XT 4 zones, metal frame, tft display	P78411M37NT 4 zones, tft display
X C G	N	X C G	N
NEW 	NEW 	NEW 	NEW 
P90511M30XP 5 zones, metal frame	P90511M30NP 5 zones	P78411M30XP 4 zones, metal frame	P78411M30NP 4 zones
X C G	N	X C G	N
NEW 			
P60411M30NP 4 zones			
N			

Induction hobs



90	78	60
NEW 	NEW 	NEW 
P905I2M30NVS 5 zones	P78411M30NVS 4 zones	P604I2M28NVS 4 zones
N	N	N

60

P603I30NV 3 zones
N
















Gas on Glass Hobs

90		75		60	
Professional Series					
					
P905CPROGNE central dual wok	P905LPROGNE lateral dual wok	P755CPROGNE central wok	P604LPROGNE lateral wok		
NE	NE	NE	NE		
					
				P604PROGNE 4 burners	
				NE	
Modern Series					
					
P905CMODGNE central dual wok	P905LMODGNE lateral dual wok	P755CMODGNE central wok	P604LMODGNE lateral wok		
NE	NE	NE	NE		
					
				P604MODGNE 4 burners	
				NE	

Segmented Hobs

90	
Professional Series	
	
PM36500X central dual wok	PM365S0X lateral dual wok
X	X

Gas Hobs

90		75		60	
Professional Series					
					
P905CPROX central dual wok	P905LPROX lateral dual wok	P755CPROX central wok	P604LPROX lateral wok		
X NE	X NE	X NE	X NE		
					
				P604PROX 4 burners	
				X NE	
Modern Series					
					
P905CMODX central dual wok	P905LMODX lateral dual wok	P755CMODX central wok	P604LMODX lateral wok		
X NE	X NE	X NE	X NE		
					
				P604MODX 4 burners	
				X NE	
Heritage Series					
					
P905CHERNE central dual wok	P905LHERNE lateral dual wok	P755CHERNE central wok	P604LHERNE lateral wok		
NE AX AC	NE AX AC	NE AX AC	NE AX AC		
					
				P604HERNE 4 burners	
				NE AX AC	

Induction hobs with integrated hood



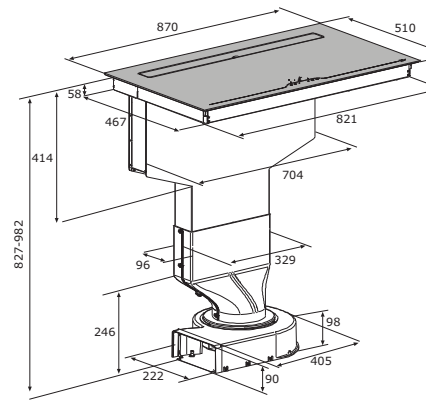
P904IBH2M30NT
90cm induction hobs, rear integrated hood

Features

- 4 induction zones
- touch LED display interface
- flex bridge zones
- 9 power levels
- booster on all zones
- black vitroceramic finishes
- hood max extraction power 742 m³/h
- 6 speed
- filter saturation alarm
- noise level 48-66db
- energy class A+++
- automatic opening hood

Optional Accessories

- 901523 2 charcoal filters kit
- 901526 kitchen plinth grid kit
- 901527 air outlet fitting kit
- 901528 plus filter kit
- 901529 plus filter kit & recharge



NEW



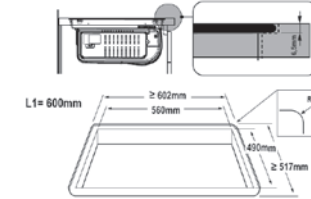
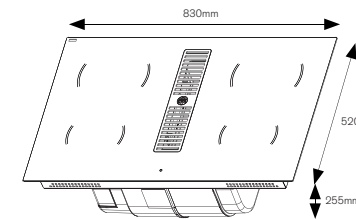
P804ICH30NP
80cm induction hob, central integrated hood

Features

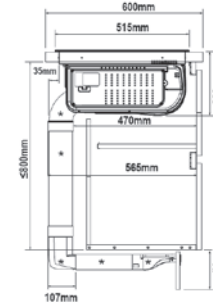
- 4 induction zones
- central extraction
- 2 zones Ø200mm 2.3kW – 3.0kW booster
- 2 zones Ø160mm 1.2kW – 1.4kW booster
- 9 power levels + booster
- red LED interface with single slider
- timer
- max airflow: 625 m³/h
- 4 speeds + 1 booster
- filter saturation indicator
- liquid spill safety system
- energy class A
- power limitation: 3.1kW – 4.5kW – 7.4kW

Optional Accessories

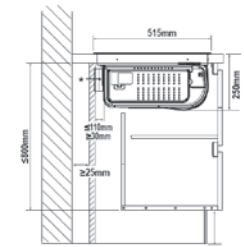
- 901680 filtering kit for plinth-out
- 901679 filtering kit for rear outlet



Installation with filter item 901680



Installation with filter item 901679



NEW



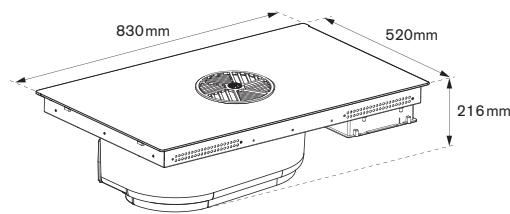
P804ICH2M30NT
80cm induction hob, central integrated hood

Features

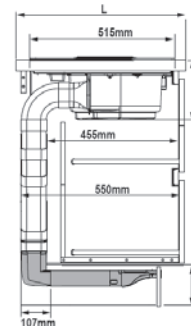
- 4 induction multi-zones – 190x220mm
- central extraction
- 2100W (3000W Booster)
- 9 power levels + booster
- white LED interface with multi-slider
- timer
- pause/Recall function
- max airflow: 640 m³/h
- 8 speeds + 2 boosters
- filter saturation indicator
- liquid spill safety system
- energy class A++
- power limitation: 3.1kW – 4.5kW – 7.4kW

Optional Accessories

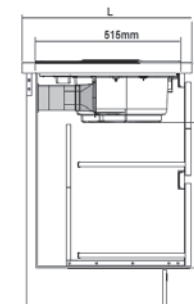
- 901677 plinth-out filtering kit
- 901678 filter kit for rear outlet installation
- 901650 flush-mounted ventilation grille



Installation with filter item 901677



Installation with filter item 901678



NEW



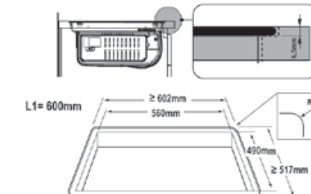
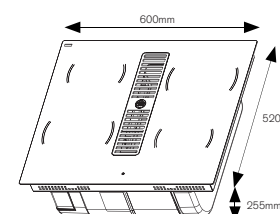
P604ICH30NP
60cm induction hob, central integrated hood

Features

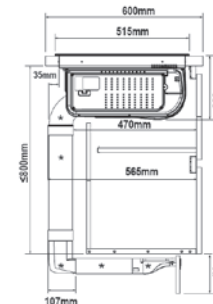
- 4 induction zones
- central extraction
- 2 zones Ø200mm 2.3kW – 3.0kW booster
- 2 zones Ø160mm 1.2kW – 1.4kW booster
- 9 power levels + booster
- red LED interface with single slider
- timer
- max airflow: 625 m³/h
- 4 speeds + 1 booster
- filter saturation indicator
- liquid spill safety system
- energy class A
- power limitation: 3.1kW – 4.5kW – 7.4kW

Optional Accessories

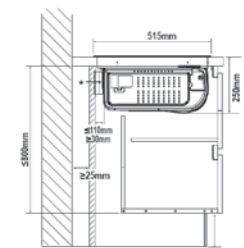
- 901680 filtering kit for plinth-out
- 901679 filtering kit for rear outlet



Installation with filter item 901680



Installation with filter item 901679



Induction hobs

NEW

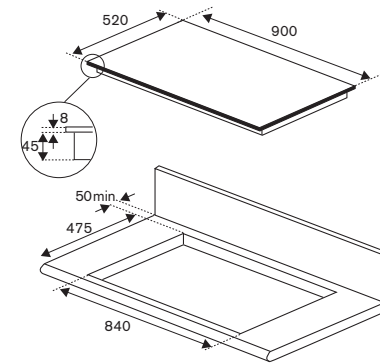
P9051M37GT
gold frameP9051M37CT
carbonio frame

P9051M37XT

90cm induction hob, 5 zones with stainless steel frame, TFT display

Features

- 5 induction zones
- 1 multi-zone
- 2 zones 190x210mm 2.1kW – 3.7kW double booster
- 1 zone Ø260mm 2.1kW – 3.7kW double booster
- 1 zone Ø230mm 2.3kW – 3.7kW double booster
- 1 zone Ø145mm 1.4kW – 2.2kW double booster
- TFT display
- Bertazzoni Assistant with 5 automatic programs: keep warm, boil, steam, pasta, fry
- child safety lock
- residual heat indicator
- automatic pan detection
- power limitation: 2.4kW, 3.7kW, 4.2kW, 5.5kW, 6.0kW, 6.7kW
- pot moving



NEW

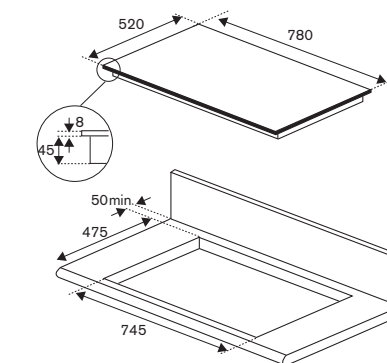
P7841M37GT
gold frameP7841M37CT
carbonio frame

P7841M37XT

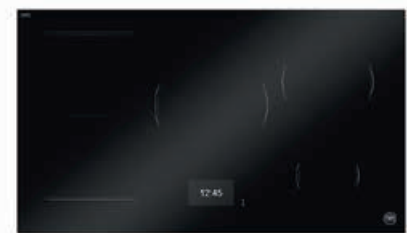
78cm induction hob, 4 zones with stainless steel frame, TFT display

Features

- 4 induction zones
- 1 multi-zone
- 2 zones 190x210mm 2.1kW – 3.7kW double booster
- 1 zone Ø260mm 2.1kW – 3.7kW double booster
- 1 zone Ø145mm 1.4kW – 2.2kW double booster
- TFT display
- Bertazzoni Assistant with 5 automatic programs: keep warm, boil, steam, pasta, fry
- child safety lock
- residual heat indicator
- automatic pan detection
- power limitation: 1.2kW, 2.4kW, 3.7kW, 4.2kW, 5.5kW, 6.0kW, 6.7kW
- pot moving



NEW

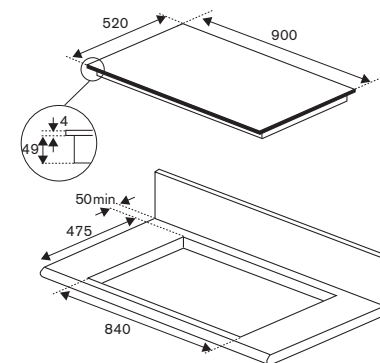


P9051M37NT

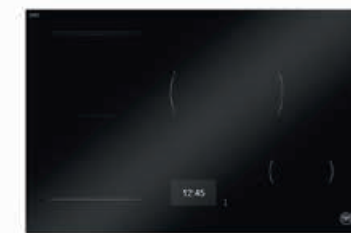
90cm induction hob, 5 zones, TFT display

Features

- 5 induction zones
- 1 multi-zone
- 2 zones 190x210mm 2.1kW – 3.7kW double booster
- 1 zone Ø260mm 2.1kW – 3.7kW double booster
- 1 zone Ø230mm 2.3kW – 3.7kW double booster
- 1 zone Ø145mm 1.4kW – 2.2kW double booster
- TFT display
- Bertazzoni Assistant with 5 automatic programs: keep warm, boil, steam, pasta, fry
- child safety lock
- residual heat indicator
- automatic pan detection
- power limitation: 2.4kW, 3.7kW, 4.2kW, 5.5kW, 6.0kW, 6.7kW
- pot moving



NEW

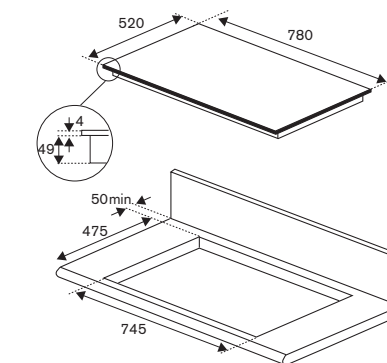


P7841M37NT

78cm induction hob, 4 zones, TFT display

Features

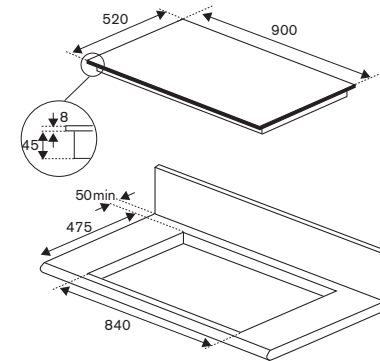
- 4 induction zones
- 1 multi-zone
- 2 zones 190x210mm 2.1kW – 3.7kW double booster
- 1 zone Ø260mm 2.1kW – 3.7kW double booster
- 1 zone Ø145mm 1.4kW – 2.2kW double booster
- TFT display
- Bertazzoni Assistant with 5 automatic programs: keep warm, boil, steam, pasta, fry
- child safety lock
- residual heat indicator
- automatic pan detection
- power limitation: 1.2kW, 2.4kW, 3.7kW, 4.2kW, 5.5kW, 6.0kW, 6.7kW
- pot moving



NEW

**P905I1M30XP****90cm induction hob, 5 zones with stainless steel frame, LED display****Features**

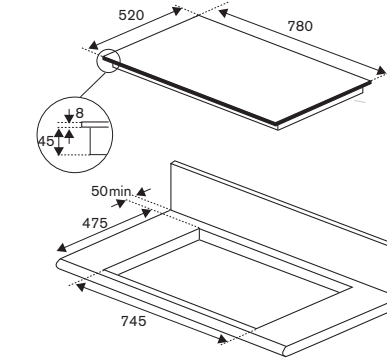
- 5 induction zones
- 1 multi-zone
- 2 zones 190x210mm 2.1kW – 3.7kW booster
- 1 zone Ø260mm 2.1kW – 3.7kW booster
- 1 zone Ø230mm 2.3kW – 3.7kW booster
- 1 zone Ø145mm 1.4kW – 2.2kW booster
- white LED interface with slider
- automatic pan recognition
- child safety lock
- residual heat indicator
- grill function
- timer and pause function
- power limitation: 2.4kW, 3.7kW, 4.2kW, 5.5kW, 6.0kW, 6.7kW

P905I1M30GP
gold frameP905I1M30CP
carbonio frame

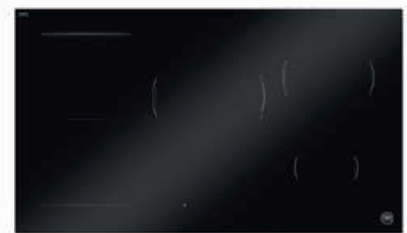
NEW

**P784I1M30XP****78cm induction hob, 4 zones with stainless steel frame, LED display****Features**

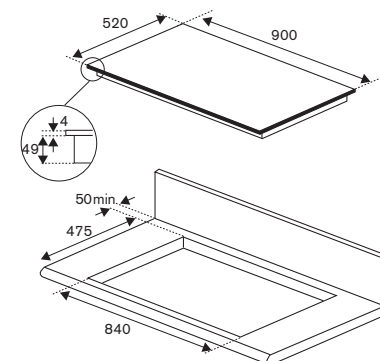
- 4 induction zones
- 1 multizone
- 2 zones 190x210mm – 2.1kW (3.7kW with booster)
- 1 zone Ø260mm – 2.1kW (3.7kW with booster)
- 1 zone Ø145mm – 1.4kW (2.2kW with booster)
- white LED interface with slider control
- automatic pan detection
- child safety lock
- residual heat indicator
- grill function
- power limitation settings: 1.2kW, 2.4kW, 3.7kW, 4.2kW, 5.5kW, 6.0kW, 6.7kW

P784I1M30GP
gold frameP784I1M30CP
carbonio frame

NEW

**P905I1M30NP****90cm induction hob, 5 zones, LED display****Features**

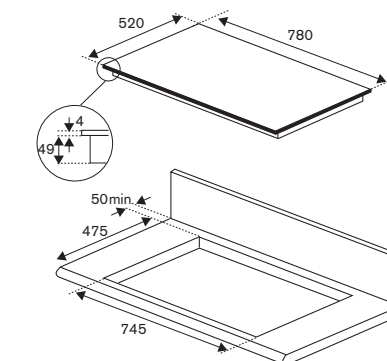
- 5 induction zones
- 1 multi-zone
- 2 zones 190x210mm 2.1kW – 3.7kW booster
- 1 zone Ø260mm 2.1kW – 3.7kW booster
- 1 zone Ø230mm 2.3kW – 3.7kW booster
- 1 zone Ø145mm 1.4kW – 2.2kW booster
- white LED interface with slider
- automatic pan recognition
- child safety lock
- residual heat indicator
- grill function
- timer and pause function
- power limitation: 2.4kW, 3.7kW, 4.2kW, 5.5kW, 6.0kW, 6.7kW



NEW

**P784I1M30NP****78cm induction hob, 4 zones, LED display****Features**

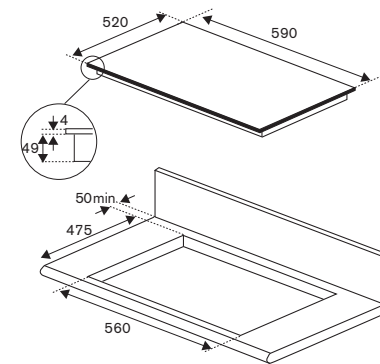
- 4 induction zones
- 1 multizone
- 2 zones 190x210mm – 2.1kW (3.7kW with booster)
- 1 zone Ø260mm – 2.1kW (3.7kW with booster)
- 1 zone Ø145mm – 1.4kW (2.2kW with booster)
- white LED interface with slider control
- automatic pan detection
- child safety lock
- residual heat indicator
- grill function
- power limitation settings: 1.2kW, 2.4kW, 3.7kW, 4.2kW, 5.5kW, 6.0kW, 6.7kW



NEW

**P604I1M30NP****60cm induction hob, 4 zones, LED display****Features**

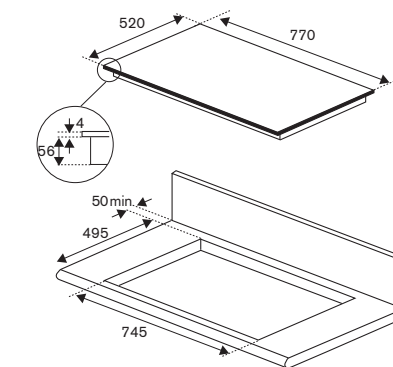
- 4 induction zones
- 1 multizone
- 2 zones 190x210mm – 2.1kW (3.7kW with booster)
- 1 zone Ø260mm – 2.1kW (3.7kW with booster)
- 1 zone Ø145mm – 1.4kW (2.2kW with booster)
- white LED interface with slider control
- automatic pan detection
- child safety lock
- residual heat indicator
- grill function
- power limitation settings: 1.2kW, 2.4kW, 3.7kW, 4.2kW, 5.5kW, 6.0kW, 6.7kW
- 48cm installation depth for replacement of 60cm and 75cm gas hobs



NEW

**P784I1M30NVS****78cm induction hob, 4 zones, 1 multi zone****Features**

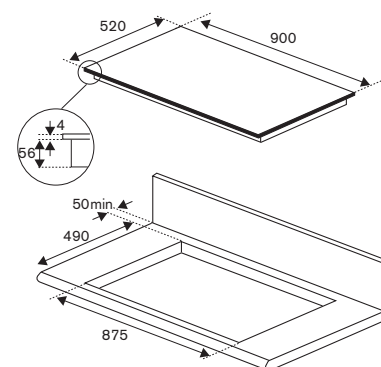
- 4 induction zones with 1 multizone
- 1 zone 190x190mm 2000W (2800 booster)
- 1 zone 190x190mm 1500W (2000 booster)
- central zone diam. 280mm 2300W (3000W booster)
- 1 zone diam. 160mm 1200W (1500W booster)
- LED interface with multiple slider
- 14 power levels (9 power levels + booster + double booster+direct)
- melting (45°), Keep Warm (70°) and Boiling (85°) functions
- child lock
- residual heat indicator
- automatic switch off
- pot detection
- autolimitation power 6 levels: 1,5kw-2,8kw-3,7kw-4,5kw-6kw-6,5kw



NEW

**P905I2M30NVS****90cm induction hob, 5 zones, 2 multi zones****Features**

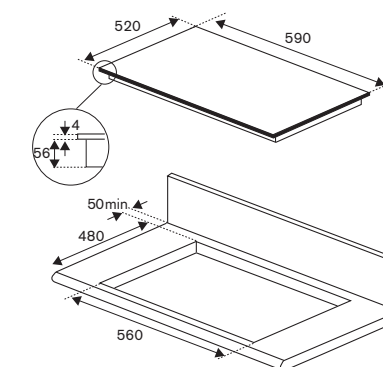
- 5 induction zones with 2 multizones
- 2 front zones 190x190mm 2000W (2800W booster)
- 2 rear zones 190x190mm 1500W (2000W booster)
- central zones diam. 280mm 2300W (3000W booster)
- LED interface with multiple slider
- 9 power levels + booster + double booster
- melting (45°), Keep Warm (70°) and Boiling (85°) functions
- timer
- child lock
- residual heat indicator
- automatic switch off
- pot detection
- autolimitation power 6 levels: 1,5kW - 2,8kW -3,7kW - 4,5kW - 6kW - 6,5kW - 7,2kW



NEW

**P604I2M28NVS****60cm induction hob, 2 multi zones****Features**

- 4 induction zones with 2 multi zones
- 1 zone 190x190mm 2000W (2800W Booster)
- 1 zone 190x190mm 1500W (2000W Booster)
- LED interface with multiple slider
- 14 power levels (9 power levels + booster + double booster + 3 direct)
- melting (45°), Keep Warm (70°) and Boiling (85°) functions
- child lock
- residual heat indicator
- automatic switch off
- pot detection
- autolimitation power 6 levels: 1,5kw-2,8kw-3,7kw-4,5kw-6kw-6,5kw



NEW

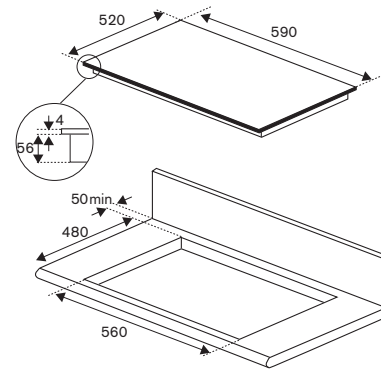


P604I1B26NVS

60cm induction hob, 4 zones

Features

- 4 induction zones with 1 bridge zone
- front zone sx diam. 210mm 2000W (2300W Booster)
- front zone dx diam. 160mm 1200W (1500W Booster)
- rear zone sx diam. 160mm 1200W (1500W Booster)
- rear zone dx diam. 180mm 1800W (2300W Booster)
- 9 power levels + booster
- timer
- child lock
- residual heat indicator
- automatic switch off
- pot detection
- autolimitation power 6 levels: 1,5kw-2,8kw-3,7kw-4,5kw-6kw-6,5kw



NEW

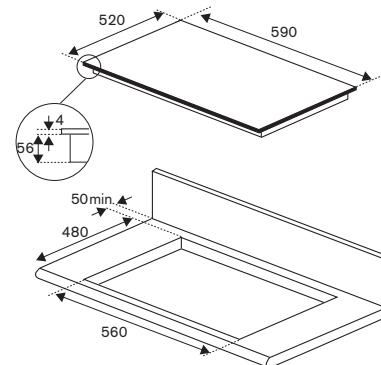


P603I30NV

60cm induction hob, 3 zones

Features

- 4 induction zones
- 2 zones ø160mm 1.2kW – 1.5kW booster
- 1 zone ø180mm 1.8kW – 2.4kW booster
- 1 zone ø210mm 2.3kW – 2.6kW booster
- LED interface with single slider
- 9 power levels with booster and double booster
- timer and automatic switch-off
- child safety lock
- residual heat indicator
- power limitation: 2.8kW – 4.5kW – 6kW – 7.2kW
- 48cm installation depth for replacing 60cm or 75cm gas hobs



Gas on Glass Hobs

Professional Series

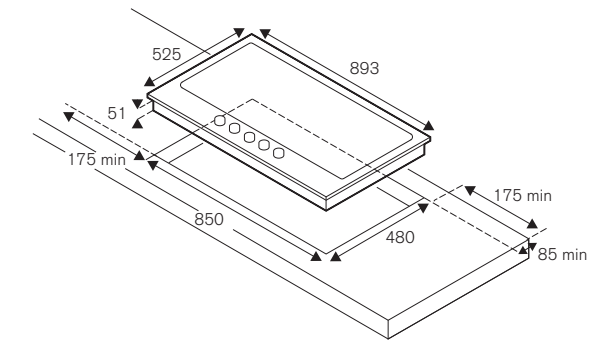


P905CPRONGE

90cm gas on glass hob, central dual wok

Features

- 5 matt black monoblock burners
- 5kw central dual wok
- single cast iron pan supports
- metal knobs
- one hand ignition
- flame failure device
- standard cut-out size
- tempered black glass surface

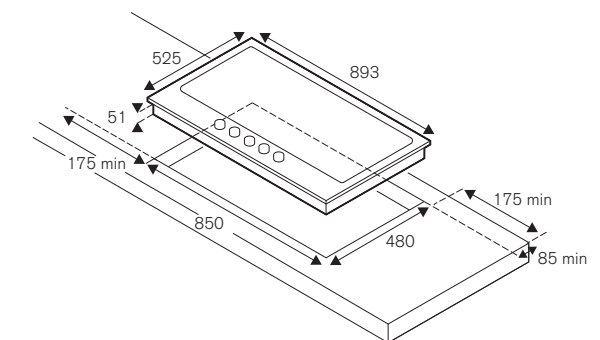


P905LPROGNE

90cm gas on glass hob, lateral dual

Features

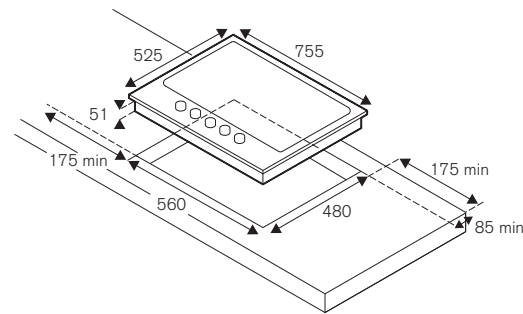
- 5 matt black monoblock burners
- 5kw lateral dual wok
- single cast iron pan supports
- metal knobs
- one hand ignition
- flame failure device
- standard cut-out size
- tempered black glass surface



Professional Series

P755CPRONGNE**75cm gas on glass hob, central dual wok****Features**

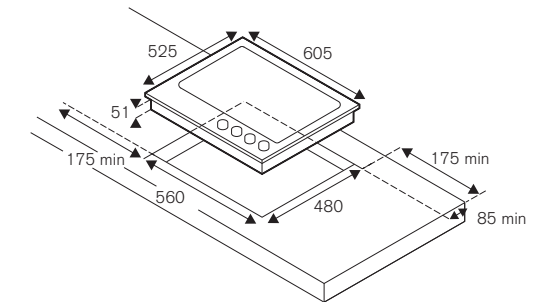
- 5 matt black monoblock burners
- 4kw central dual wok
- single cast iron pan supports
- metal knobs
- one hand ignition
- flame failure device
- standard cut-out size
- tempered black glass surface



Professional Series

P604PROGNE**60cm gas on glass hob****Features**

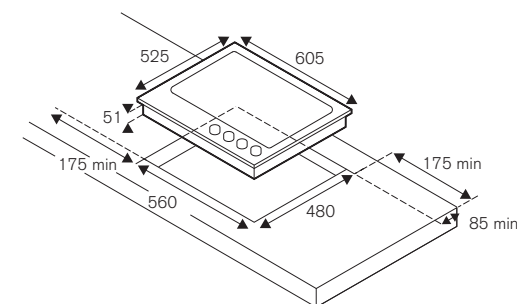
- 4 matt black monoblock burners
- cast iron pan supports
- metal knobs
- one hand ignition
- flame failure device
- standard cut-out size
- tempered black glass surface



Optional Accessories
901438 simmer ring

P604LPROGNE**60cm gas on glass hob, lateral dual wok****Features**

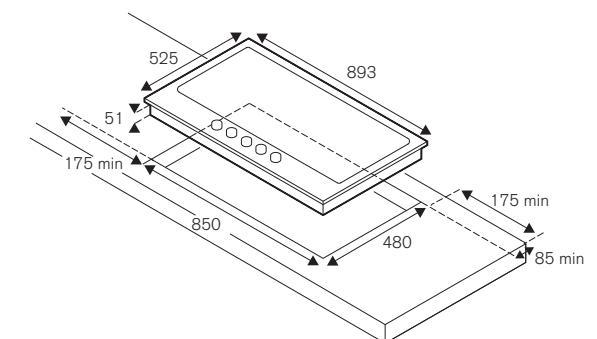
- 4 matt black monoblock burners
- 4kw lateral dual wok
- cast iron pan supports
- metal knobs
- one hand ignition
- flame failure device
- standard cut-out size
- tempered black glass surface



Modern Series

P905CMODGNE**90cm gas on glass hob, lateral dual wok****Features**

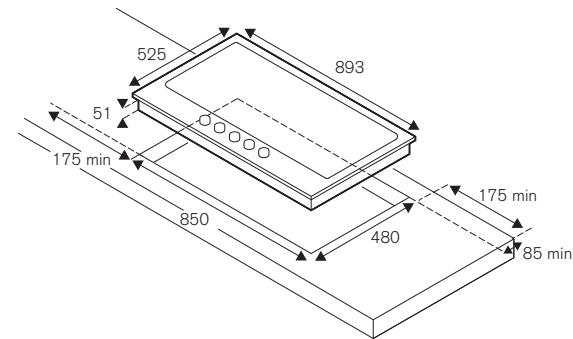
- 5 matt black monoblock burners
- 5kw central dual wok
- single cast iron pan supports
- soft touch knobs
- one hand ignition
- flame failure device
- standard cut-out size
- tempered black glass surface



Modern Series

P905LMODGNE**90cm gas on glass hob, lateral dual wok****Features**

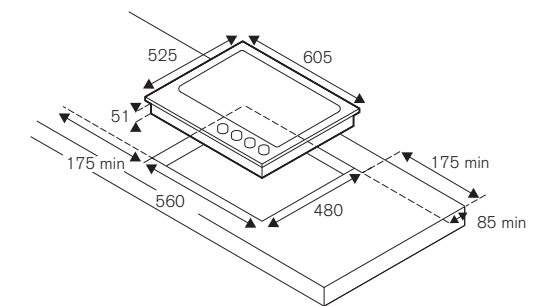
- 5 matt black monoblock burners
- 5kw lateral dual wok
- single cast iron pan supports
- soft touch knobs
- one hand ignition
- flame failure device
- standard cut-out size
- tempered black glass surface



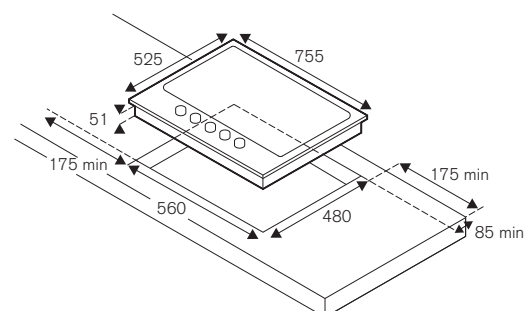
Modern Series

P604LMODGNE**60cm gas on glass hob, lateral dual wok****Features**

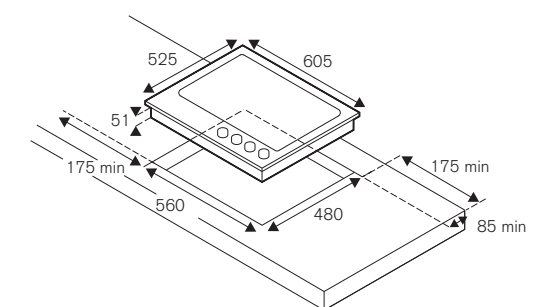
- 4 matt black monoblock burners
- 4kw lateral dual wok
- cast iron pan supports
- soft touch knobs
- one hand ignition
- flame failure device
- standard cut-out size
- tempered black glass surface

**P755CMODGNE****75cm gas on glass hob, central dual wok****Features**

- 5 matt black monoblock burners
- 4kw central dual wok
- single cast iron pan supports
- soft touch knobs
- one hand ignition
- flame failure device
- standard cut-out size
- tempered black glass surface

**P604MODGNE****60cm gas on glass hob****Features**

- 4 matt black monoblock burners
- cast iron pan supports
- soft touch knobs
- one hand ignition
- flame failure device
- standard cut-out size
- tempered black glass surface



Gas Hobs

Professional Series



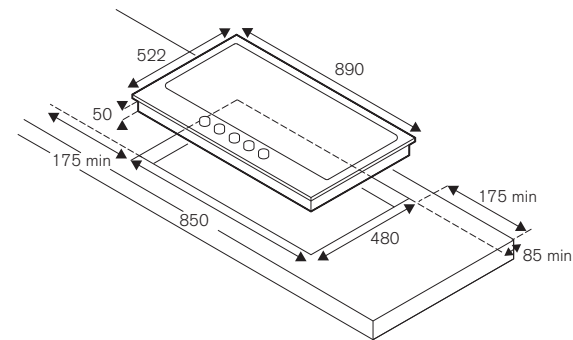
P905CPROX
90cm gas hob, central dual wok

- Features**
- 5 brass gas burners
 - 5kw central dual wok
 - cast iron pan supports
 - metal knobs
 - one hand ignition
 - flame failure device
 - standard cut-out size
 - stainless steel or nero matt finishes

- Optional Accessories**
- 901438 simmer ring
 - 901439 wok ring



P905CPRONE
nero matt



Professional Series



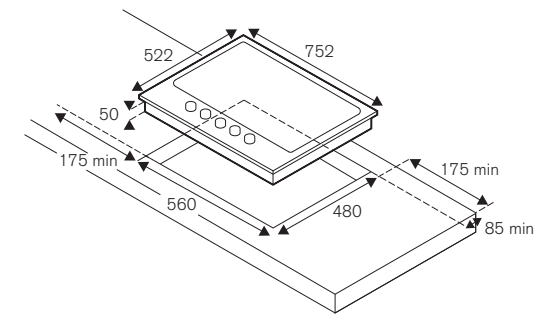
P755CPROX
75cm gas hob, central dual wok

- Features**
- 5 brass gas burners
 - 4kw central dual wok
 - cast iron pan supports
 - metal knobs
 - one hand ignition
 - flame failure device
 - standard cut-out size
 - stainless steel or nero matt finishes

- Optional Accessories**
- 901438 simmer ring
 - 901439 wok ring



P755CPRONE
nero matt



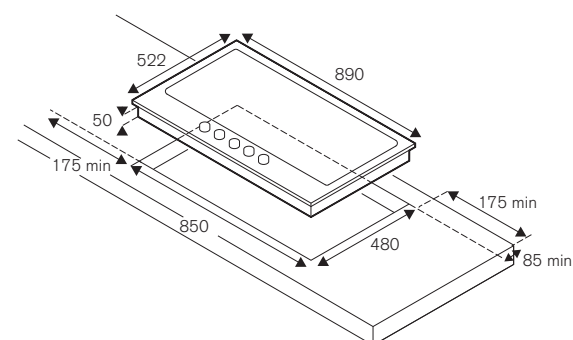
P905LPROX
90cm gas hob, lateral dual wok

- Features**
- 5 brass gas burners
 - 5kw lateral dual wok
 - cast iron pan supports
 - metal knobs
 - one hand ignition
 - flame failure device
 - standard cut-out size
 - stainless steel or nero matt finishes

- Optional Accessories**
- 901438 simmer ring
 - 901439 wok ring



P905LPRONE
nero matt



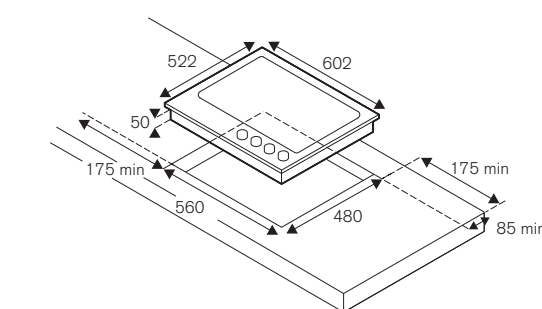
P604LPROX
60cm gas hob, lateral dual wok

- Features**
- 4 brass gas burners
 - 4kw lateral dual wok
 - cast iron pan supports
 - metal knobs
 - one hand ignition
 - flame failure device
 - standard cut-out size
 - stainless steel or nero matt finishes

- Optional Accessories**
- 901438 simmer ring
 - 901439 wok ring



P604LPRONE
nero matt



Professional Series

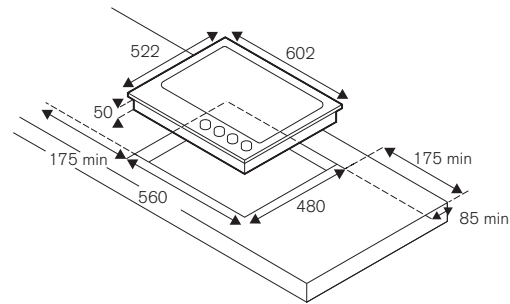
P604PROX
60cm gas hob

- Features**
- 4 brass gas burners
 - cast iron pan supports
 - metal knobs
 - one hand ignition
 - flame failure device
 - standard cut-out size
 - stainless steel or nero matt finishes

- Optional Accessories**
- 901438 simmer ring
 - 901439 wok ring



P604PRONE
nero matt



Modern Series

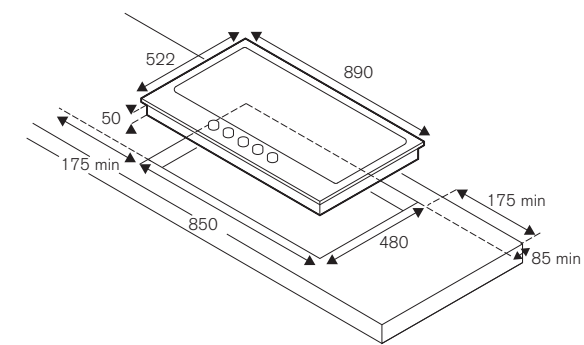
P905CMODX
90cm gas hob, central dual wok

- Features**
- 5 aluminum gas burners
 - 5kw central dual wok
 - cast iron pan supports
 - metal finish knobs
 - one hand ignition
 - flame failure device
 - standard cut-out size
 - stainless steel or nero matt finishes

- Optional Accessories**
- 901438 simmer ring
 - 901439 wok ring



P905CMODNE
nero matt



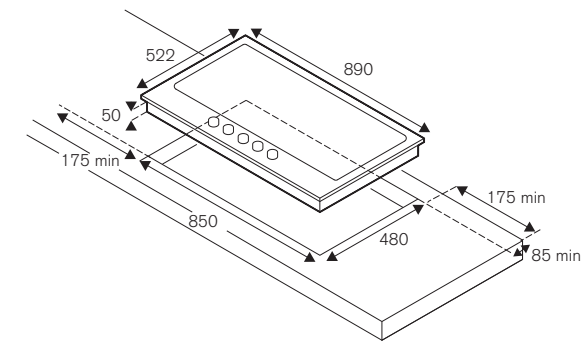
P905LMODX
90cm gas hob, lateral dual wok

- Features**
- 5 aluminum gas burners
 - 5kw lateral dual wok
 - cast iron pan supports
 - metal finish knobs
 - one hand ignition
 - flame failure device
 - standard cut-out size
 - stainless steel or nero matt finishes

- Optional Accessories**
- 901438 simmer ring
 - 901439 wok ring



P905LMODNE
nero matt



Modern Series

P755CMODX**75cm gas hob, central dual wok****Features**

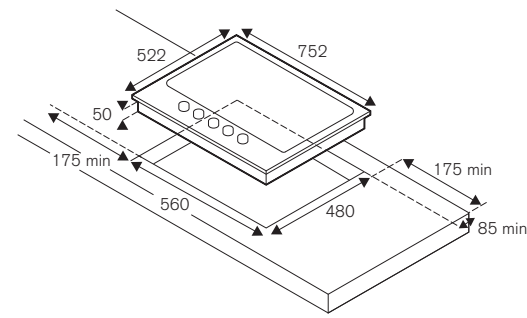
- 5 aluminum gas burners
- 4kw central dual wok
- cast iron pan supports
- metal finish knobs
- one hand ignition
- flame failure device
- standard cut-out size
- stainless steel or nero matt finishes

Optional Accessories

- 901438 simmer ring
- 901439 wok ring



P755CMODNE
nero matt



Modern Series

P604MODX**60cm gas hob****Features**

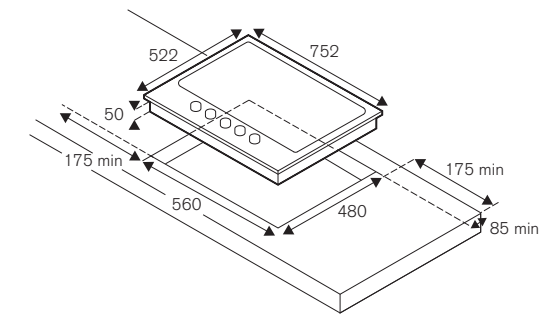
- 4 aluminum gas burners
- cast iron pan supports
- metal finish knobs
- one hand ignition
- flame failure device
- standard cut-out size
- stainless steel or nero matt finishes

Optional Accessories

- 901438 simmer ring
- 901439 wok ring



P604MODNE
nero matt

**P604LMODX****60cm gas hob, lateral dual wok****Features**

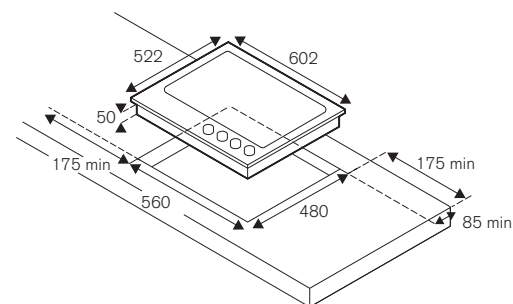
- 4 aluminum gas burners
- 4kw lateral dual wok
- cast iron pan supports
- metal finish knobs
- one hand ignition
- flame failure device
- standard cut-out size
- stainless steel or nero matt finishes

Optional Accessories

- 901438 simmer ring
- 901439 wok ring



P604LMODNE
nero matt



Heritage Series

P905CHERNE
90cm gas hob, central dual wok

- Features**
- 5 brass gas burners
 - 5kw central dual wok
 - cast iron pan supports
 - metal knobs
 - one hand ignition
 - flame failure device
 - standard cut-out size
 - black enamelled steel or ivory enamel finishes

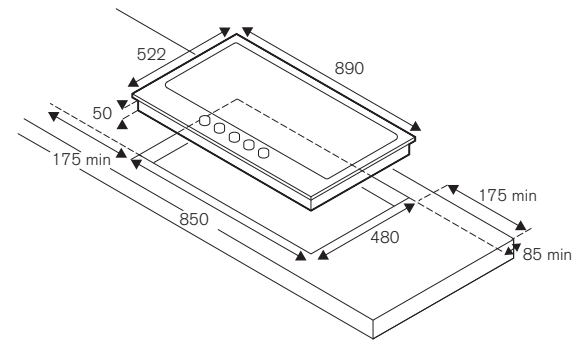
- Optional Accessories**
- 901438 simmer ring
 - 901439 wok ring



P905CHERAX
ivory / stainless steel



P905CHERAG
ivory / gold



Heritage Series

P755CHERNE
75cm gas hob, central dual wok

- Features**
- 5 brass gas burners
 - 4kw central dual wok
 - cast iron pan supports
 - metal knobs
 - one hand ignition
 - flame failure device
 - standard cut-out size
 - stainless steel or nero matt finishes

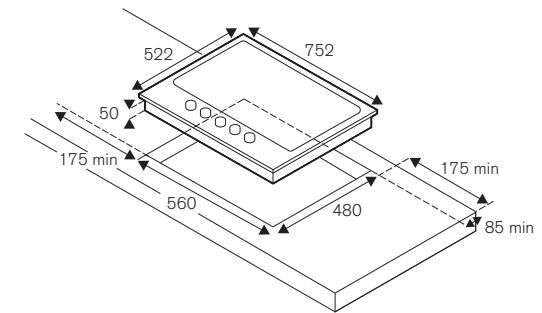
- Optional Accessories**
- 901438 simmer ring
 - 901439 wok ring



P755CHERAX
ivory / stainless steel



P755CHERAG
ivory / gold



P905LHERNE
90cm gas hob, lateral dual wok

- Features**
- 5 brass gas burners
 - 5kw lateral dual wok
 - cast iron pan supports
 - metal knobs
 - one hand ignition
 - flame failure device
 - standard cut-out size
 - black enamelled steel or ivory enamel finishes

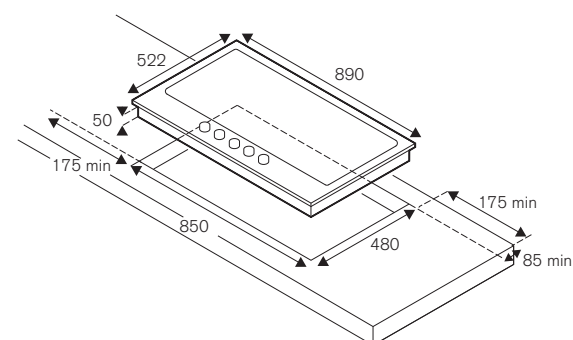
- Optional Accessories**
- 901438 simmer ring
 - 901439 wok ring



P905LHERAX
ivory / stainless steel



P905LHERAG
ivory / gold



P604LHERNE
60cm gas hob, lateral dual wok

- Features**
- 4 brass gas burners
 - 4kw lateral dual wok
 - cast iron pan supports
 - metal knobs
 - one hand ignition
 - flame failure device
 - standard cut-out size
 - stainless steel or nero matt finishes

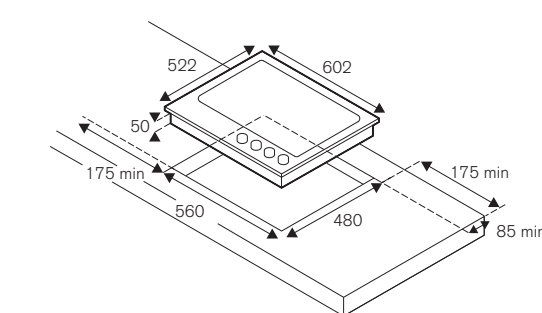
- Optional Accessories**
- 901438 simmer ring
 - 901439 wok ring



P604LHERAX
ivory / stainless steel



P604LHERAG
ivory / gold



Heritage Series

P604HERNE

60cm gas hob, lateral dual wok

Features

- 4 brass gas burners
- cast iron pan supports
- metal knobs
- one hand ignition
- flame failure device
- standard cut-out size
- black enamelled steel or ivory enamel finishes

Optional Accessories

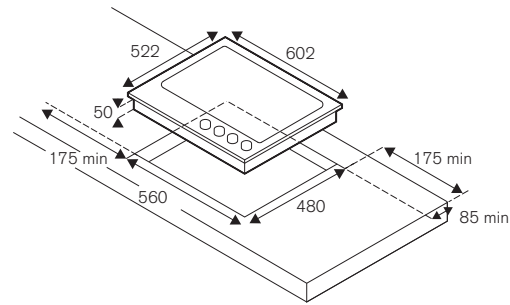
- 901438 simmer ring
- 901439 wok ring



P604HERAX
ivory / stainless steel



P604HERAG
ivory / gold



Segmented Hobs

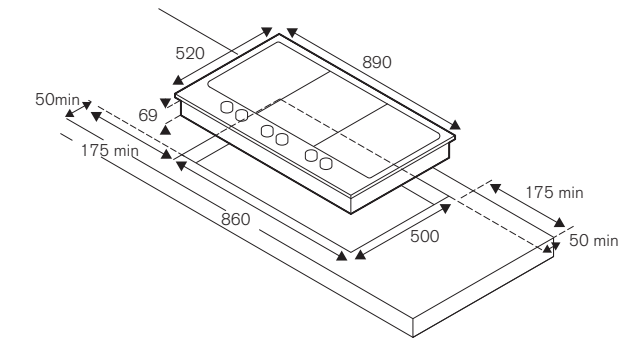
Professional Series

PM36500X

90cm segmented hob, central dual wok

Features

- 5 brass gas burners
- 5kw central dual wok
- cast iron pan supports
- metal knobs
- one hand ignition
- flame failure device
- wok ring
- simmer ring
- stainless steel finishes

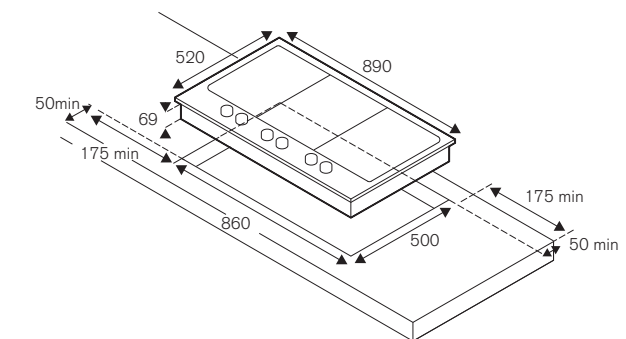


PM365S0X

90cm segmented hob, lateral dual wok

Features

- 5 brass gas burners
- 5kw lateral dual wok
- cast iron pan supports
- metal knobs
- one hand ignition
- flame failure device
- wok ring
- simmer ring
- stainless steel finishes



Cookers



Induction



Electric multifunction
oven

Induction

120 double oven 110/100 triple oven 100 double oven

Professional Series



PRO125I2EXT
XT NET BIT GIT ART ROT



PRO115I3EXT - PRO105I3EXT
XT NET BIT GIT ART ROT CAT



PRO105I2EXT
XT NET BIT GIT ART ROT CAT

Master Series



MAS115I3EXC - MAS105I3EXC
XC NEC



MAS105I2EXC
XC NEC

Heritage Series



HER105I3ENET
NET AVT



HER105I2ENET
NET AVT

Induction with integrated hood

90

Professional Series



PROCH94I1EXT
XT NET BIT GIT ART ROT CAT

Serie Master



MASCH94I1EXT
XT NET

90 double oven 90 single oven 60 single oven



PRO95I2EXT
XT NET BIT GIT ART ROT CAT



PRO95I1EXT
XT NET BIT GIT ART ROT CAT



PRO64I1EXT
XT NET BIT GIT ART ROT



MAS95I2EXC
XC NEC



MAS95I1EXC
XC NEC



HER95I2ENET
NET AVT



HER95I1ENET
NET AVT

Electric Oven,
Gas Worktop

120 double oven

110/100 triple oven

100 double oven

Professional Series



PRO126G2EXT

XT NET BIT GIT ART ROT



PRO116L3EXT - PRO106L3EXT

XT NET BIT GIT ART ROT



PRO106L2EXT

XT NET BIT GIT ART ROT

Master Series



MAS116L3EXC - MAS106L3EXC

XC NEC



MAS106L2EXC

XC NEC

Heritage Series



HER126G2ENET

NET AVT



HER106L3ENET

NET AVT



HER106L2ENET

NET AVT

90 double oven

90 single oven

60 single oven

Professional Series



PRO96L2EXT

XT NET BIT GIT ART ROT



PRO96L1EXT

XT NET BIT GIT ART ROT



PRO64L1EXT

XT NET BIT GIT ART ROT

Master Series



MAS95C2EXC

XC NEC



MAS95C1EXC

XC NEC



MAS64L1EXC

XC NEC

Heritage Series



HER96L2ENET

NET AVT



HER96L1ENET

NET AVT

Induction with integrated hood

Professional Series

NEW



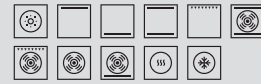
PROCH9411EXT Air-Tec

90cm 4 induction zones with integrated hood, electronic oven, stainless steel

Features

- 4 induction zones with 2 flex zones
- 4 zones 200x210mm, 3000W (booster)
- Metal knobs
- Multifunction electric oven 11 settings with electric grill
- Oven volume 105L
- Digital programmer with food probe
- Integrated ventilation, available in suction or filtering mode
- 10 speed settings and automatic control
- Overflow security
- Recirculating or vented out
- 1 telescopic glide shelf, 1 baking tray, 2 wire shelves, 1 grill mesh, 2 lights
- Hood max extraction power 600 m³/h

Oven functions



Optional Accessories

- 901615 recirculation kit and toekick carbon
- 901614 recirculation kit and toekick stainless steel

Energy rating **A**



PROCH9411ENET



PROCH9411EBIT



PROCH9411EGIT



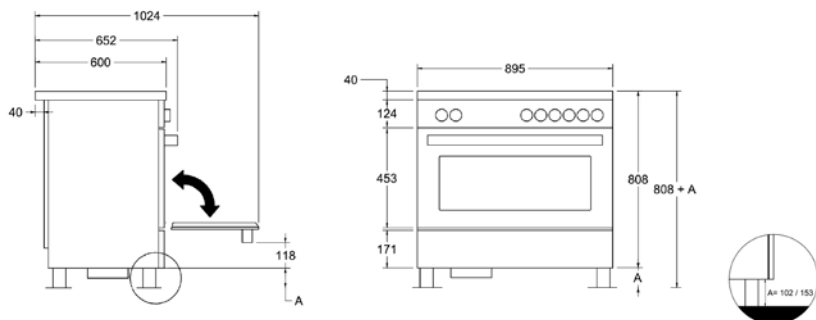
PROCH9411EART



PROCH9411EROT



PROCH9411ECAT



Induction

Professional Series

PRO125I2EXT

120cm 5 induction zones, electric double oven

Features

- 5 induction zones
- 2 zones Ø16cm / 1100W - 1400W (booster), 1 zone Ø23cm / 2300W-3000W (booster)
- 1 zone Ø20cm / 1400W - 2000W (booster), 1 zone Ø20cm / 2300W-3000W (booster)
- metal finishes knobs
- electric oven 11 functions
- main oven volume 69 L, auxiliary oven volume 69 L
- digital programmer with food probe
- 1 telescopic glide shelf, 1 baking tray, 2 wire shelves, 1 grill mesh, 1 light (each cavity)
- soft closing oven door with inner triple removable glass
- soft closing drawer

Functions (main oven)



Functions (auxiliary oven)



Energy rating **A**



PRO125I2ENET



PRO125I2EBIT



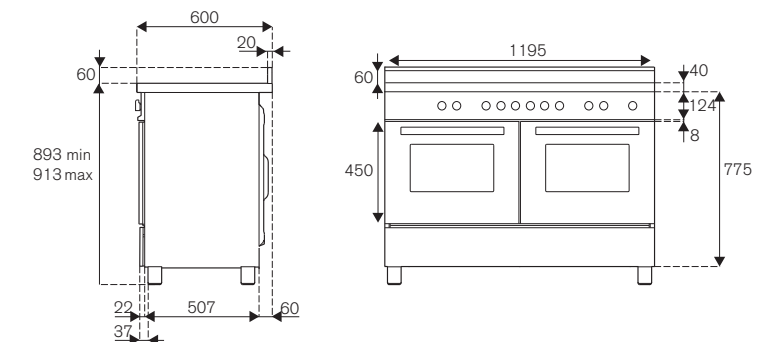
PROCH9411EGIT



PRO125I2EART



PRO125I2EEROT



Master Series

NEW



MASCH9411EXT Air-Tec

90cm, 4-zone induction hob with integrated hood, electronic oven, stainless steel

Features

- 4 induction zones with 2 flex zones
- 4 zones 200x210mm, 3000W (with booster)
- metal knobs
- electric oven with 11 functions and electric grill
- oven capacity: 105L
- oven temperature gauge with gradual display
- integrated hood extraction with 9 levels + booster and automatic exhaust setting
- liquid spill safety system
- recirculating or external venting
- 1 telescopic guide, 1 enamelled tray, 2 oven racks,
- 1 tray grid, 2 lights
- Air Frying function with dedicated tray
- maximum hood airflow: 600 m³/h
- power limitation with 9 levels from 2.8kW to 7.4kW

Oven functions



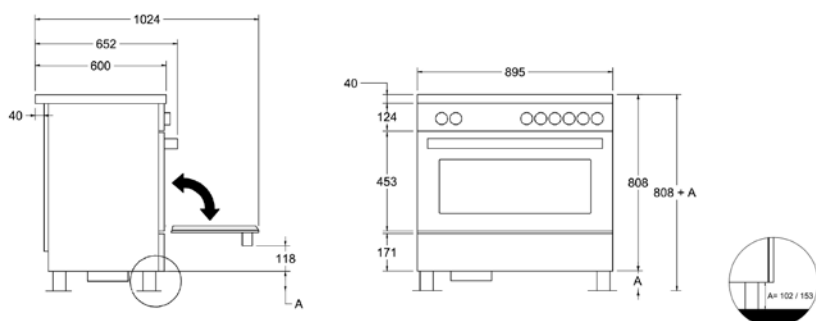
Optional Accessories

- 901615 recirculation kit and toekick carbon
- 901614 recirculation kit and toekick stainless steel
- 901613 kit charcoal filter long lasting

Energy rating **A**



MASCH9411ENET



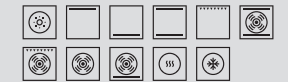
PRO115I3EXT

110cm 5 induction zones, electric triple oven

Features

- 5 induction zones
- 2 zones Ø16cm / 1100W - 1400W (booster), 1 zone Ø23cm / 2300W-3000W (booster)
- 1 zone Ø20cm / 1400W - 2000W (booster), 1 zone Ø20cm / 2300W-3000W (booster)
- metal finishes knobs
- electric oven 11 functions
- main oven volume 69 L, auxiliary oven volume 54 L, third 24 L
- digital programmer with food probe
- 1 telescopic glide shelf, 1 baking tray, 2 wire shelves, 1 grill mesh, 1 light
- soft closing oven door with inner triple removable glass
- soft closing drawer

Functions (main oven)



Functions (auxiliary oven)



Energy rating **A**



PRO115I3ENET



PRO115I3EBIT



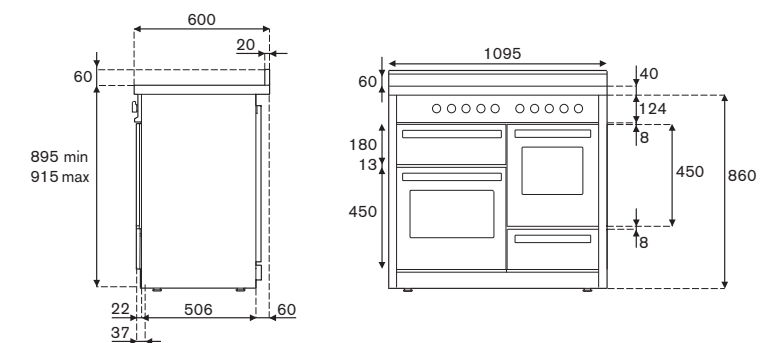
PRO115I3EGIT



PRO115I3EART



PRO115I3EROT



Professional Series

Professional Series



PRO10513EXT
100cm 5 induction zones, electric triple oven

- Features**
- 5 induction zones
 - 2 zones Ø16cm / 1100W - 1400W (booster), 1 zone Ø23cm / 2300W-3000W (booster)
 - 1 zone Ø20cm / 1400W - 2000W (booster), 1 zone Ø20cm / 2300W-3000W (booster)
 - metal finishes knobs
 - electric oven 11 functions
 - main oven volume 69 L, auxiliary oven volume 54 L, third 24 L
 - digital programmer with food probe
 - 1 telescopic glide shelf, 1 baking tray, 2 wire shelves, 1 grill mesh, 1 light
 - soft closing oven door with inner triple removable glass
 - soft closing drawer

Functions (main oven)



Functions (auxiliary oven)



- Optional Accessories**
- 901367 backsplash

Energy rating **A**



PRO10513ENET



PRO10513EBIT



PRO10513EGIT



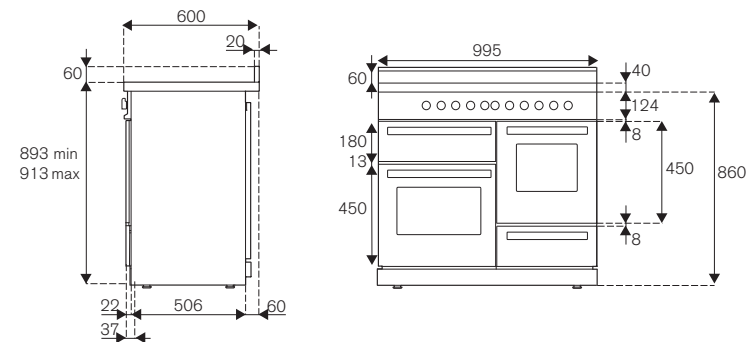
PRO10513EART



PRO10513EROT



PRO10513ECAT



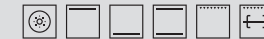
PRO9512EXT
90cm 5 induction zones, electric double oven

- Features**
- 5 induction zones
 - 2 zones Ø16cm / 1100W - 1400W (booster), 1 zone Ø25cm / 2300W-3000W (booster)
 - 1 zone Ø20cm / 1400W - 2000W (booster), 1 zone Ø20cm / 2300W-3000W (booster)
 - metal finishes knobs
 - electric oven 11 functions
 - main oven volume 69 L, auxiliary oven volume 38 L
 - digital programmer with food probe
 - 1 telescopic glide shelf, 1 baking tray, 2 wire shelves, 1 grill mesh, 1 light
 - soft closing oven door with inner triple removable glass
 - soft closing drawer

Functions (main oven)



Functions (auxiliary oven)



- Optional Accessories**
- 901355 carbonio 3-sides toekick panel
 - 901456 legs kit H100-135mm
 - 901481 3-sides toekick panel

Energy rating **A**



PRO9512ENET



PRO9512EBIT



PRO9512EGIT



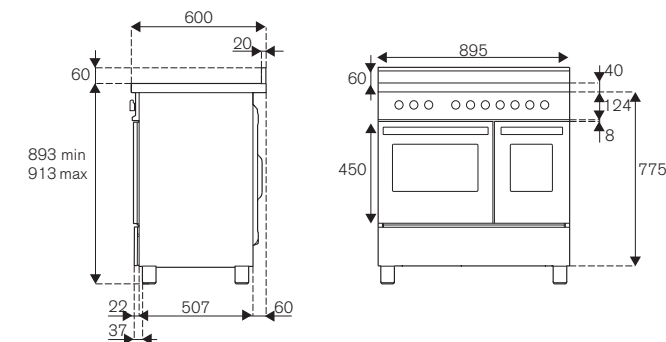
PRO9512EART



PRO9512EROT



PRO9512ECAT



PRO10512EXT
100cm 5 induction zones, electric double oven

- Features**
- 5 induction zones
 - 2 zones Ø16cm / 1100W - 1400W (booster), 1 zone Ø23cm / 2300W-3000W (booster)
 - 1 zone Ø20cm / 1400W - 2000W (booster), 1 zone Ø20cm / 2300W-3000W (booster)
 - metal finishes knobs
 - electric oven 11 functions
 - main oven volume 69 L, auxiliary oven volume 54 L
 - digital programmer with food probe
 - 1 telescopic glide shelf, 1 baking tray, 2 wire shelves, 1 grill mesh, 1 light
 - soft closing oven door with inner triple removable glass
 - soft closing drawer
 - stainless steel legs

Functions (main oven)



Functions (auxiliary oven)



- Optional Accessories**
- 901356 carbonio 3-sides toekick panel
 - 901367 backsplash
 - 901456 legs kit H100-135mm
 - 901482 3-sides toekick panel

Energy rating **A**



PRO10512ENET



PRO10512EBIT



PRO10512EGIT



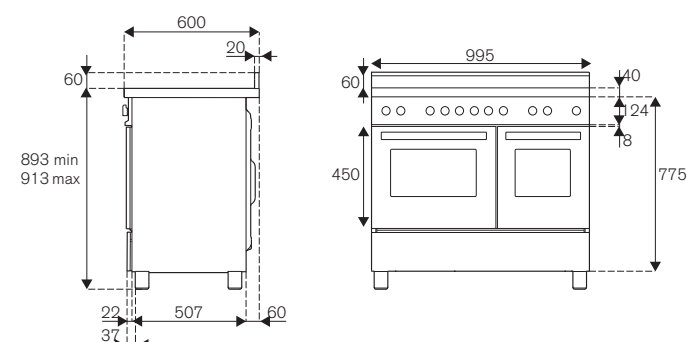
PRO10512EART



PRO10512EROT



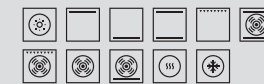
PRO10512ECAT



PRO9511EXT
90cm 5 induction zones, electric oven

- Features**
- 5 induction zones
 - 2 zones Ø16cm / 1100W - 1400W (booster), 1 zone Ø23cm / 2300W-3000W (booster)
 - 1 zone Ø20cm / 1400W - 2000W (booster), 1 zone Ø20cm / 2300W-3000W (booster)
 - metal finishes knobs
 - electric oven 11 functions
 - oven volume 103 L
 - digital programmer with food probe
 - 1 telescopic glide shelf, 1 baking tray, 2 wire shelves, 1 grill mesh, 1 light
 - soft closing oven door with inner triple removable glass
 - soft closing drawer
 - stainless steel legs

Oven functions



- Optional Accessories**
- 901355 carbonio 3-sides toekick panel
 - 901456 legs kit H100-135mm
 - 901481 3-sides toekick panel

Energy rating **A**



PRO9511ENET



PRO9511EBIT



PRO9511EGIT



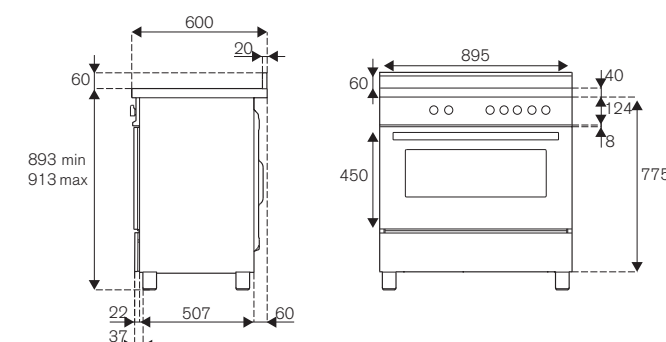
PRO9511EART



PRO9511EROT



PRO9511ECAT

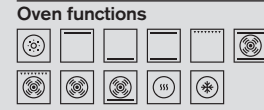


Professional Series



PRO641EXT
60cm 4 induction zones, electric oven

- Features**
- 4 induction zones
 - 3 zones Ø18cm / 1850W - 3000W (booster)
 - 1 zone Ø21cm / 2300W - 3700W (booster)
 - metal finishes knobs
 - electric oven 11 functions with gas grill
 - oven volume 69 L
 - digital programmer with food probe
 - 1 telescopic glide shelf, 1 baking tray, 2 wire shelves, 1 grill mesh, 1 light
 - soft closing oven door with inner triple removable glass
 - soft closing drawer



- Optional Accessories**
- 901347 backsplash
 - 901389 toe-kick panel

Energy rating **A**



PRO641ENET



PRO641EBIT



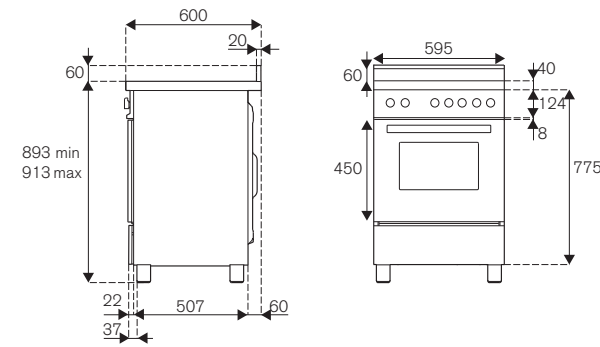
PRO641EGIT



PRO641EART



PRO641EROT

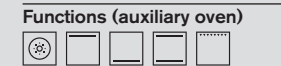
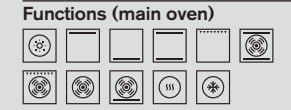


Master Series



MAS1053EXC
100cm 5 induction zones, electric triple oven

- Features**
- 5 induction zones
 - 2 zones Ø16cm / 1100W - 1400W (booster), 1 zone Ø23cm / 2300W-3000W (booster)
 - 1 zone Ø20cm / 1400W - 2000W (booster), 1 zone Ø20cm / 2300W-3000W (booster)
 - metal knobs
 - electric oven 11 functions
 - main oven volume 69 L, auxiliary oven volume 54 L, third 24 L
 - thermometer
 - 1 baking tray, 2 wire shelves, 1 grill mesh, 1 light
 - inner triple removable glass
 - storage compartment

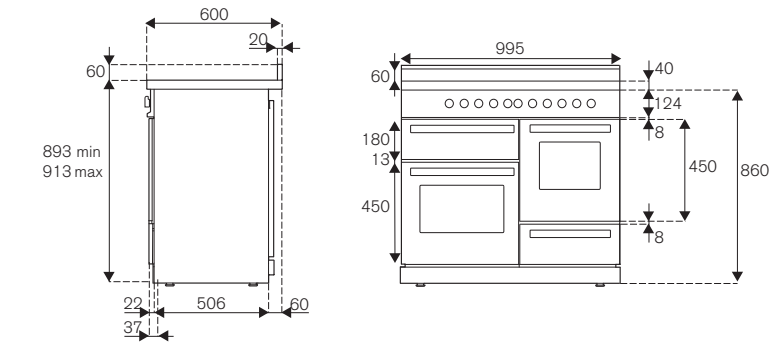


- Optional Accessories**
- 901347 backsplash

Energy rating **A**



MAS1053ENEC

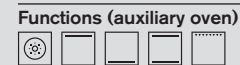
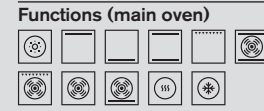


Master Series



MAS1153EXC
110cm 5 induction zones, electric triple oven

- Features**
- 5 induction zones
 - 2 zones Ø16cm / 1100W - 1400W (booster), 1 zone Ø23cm / 2300W-3000W (booster)
 - 1 zone Ø20cm / 1400W - 2000W (booster), 1 zone Ø20cm / 2300W-3000W (booster)
 - metal knobs
 - electric oven 11 functions
 - main oven volume 69 L, auxiliary oven volume 54 L, third 24 L
 - thermometer
 - 1 baking tray, 2 wire shelves, 1 grill mesh, 1 light
 - inner triple removable glass
 - storage compartment

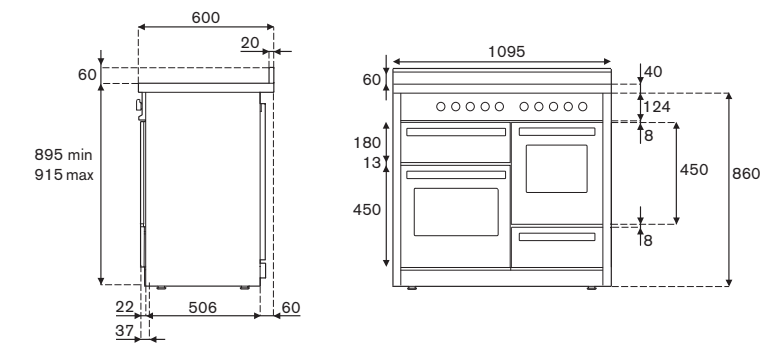


- Optional Accessories**
- 901347 backsplash

Energy rating **A**

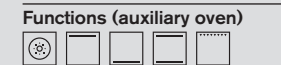
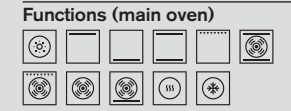


MAS1153ENEC



MAS1052EXC
100cm 5 induction zones, electric double oven

- Features**
- 5 induction zones
 - 2 zones Ø16cm / 1100W - 1400W (booster), 1 zone Ø23cm / 2300W-3000W (booster)
 - 1 zone Ø20cm / 1400W - 2000W (booster), 1 zone Ø20cm / 2300W-3000W (booster)
 - metal knobs
 - electric oven 11 functions
 - main oven volume 69 L, auxiliary oven volume 54 L
 - thermometer
 - 1 baking tray, 2 wire shelves, 1 grill mesh, 1 light
 - inner triple removable glass
 - storage compartment
 - stainless steel legs

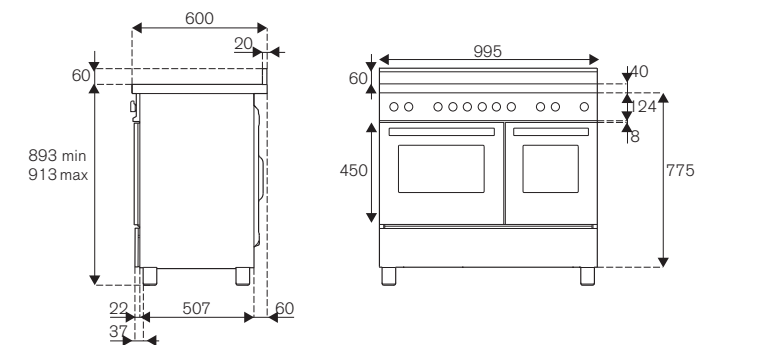


- Optional Accessories**
- 901367 backsplash
 - 901375 toe-kick panel

Energy rating **A**



MAS1052ENEC



Master Series



MAS95I2EXC

90cm 5 induction zones, electric double oven

Features

- 5 induction zones
- 2 zones Ø16cm / 1100W - 1400W (booster), 1 zone Ø23cm / 2300W-3000W (booster)
- 1 zone Ø20cm / 1400W - 2000W (booster), 1 zone Ø20cm / 2300W-3000W (booster)
- metal knobs
- electric oven 11 functions
- main oven volume 69 L, auxiliary oven volume 38 L
- thermometer
- 1 baking tray, 2 wire shelves, 1 grill mesh, 1 light
- inner triple removable glass
- storage compartment
- stainless steel legs

Functions (main oven)



Functions (auxiliary oven)



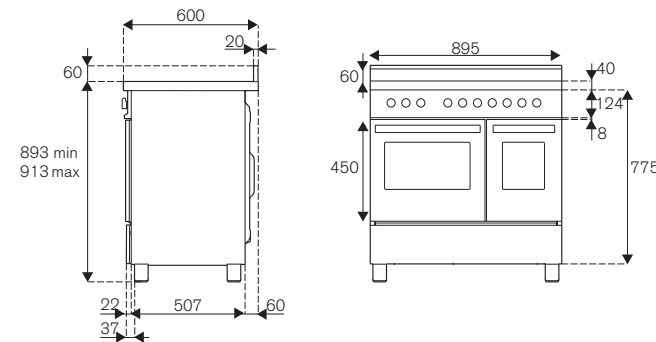
Optional Accessories

- 901348 backsplash
- 901376 toekick panel

Energy rating **A**



MAS95I2EXC



Heritage Series



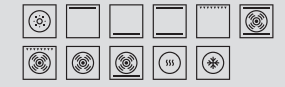
HER105I3ENET

100cm 5 induction zones, electric triple oven

Features

- 5 induction zones
- 2 zones Ø16cm / 1100W - 1400W (booster), 1 zone Ø23cm / 2300W-3000W (booster)
- 1 zone Ø20cm / 1400W - 2000W (booster), 1 zone Ø20cm / 2300W-3000W (booster)
- metal finishes knobs
- electric oven 11 functions with gas grill
- main oven volume 69 L, auxiliary oven volume 54 L, third 24 L
- thermometer
- 1 telescopic glide shelf, 1 baking tray, 2 wire shelves, 1 grill mesh, 1 light
- soft closing oven door with inner triple removable glass
- soft closing drawer

Functions (main oven)



Functions (auxiliary oven)



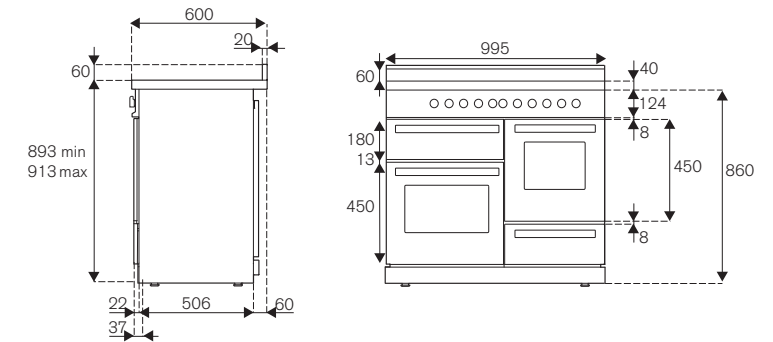
Optional Accessories

- 901367 backsplash

Energy rating **A**



HER105I3ENET



MAS95I1EXC

90cm 5 induction zones, electric oven

Features

- 5 induction zones
- 2 zones Ø16cm / 1100W - 1400W (booster), 1 zone Ø23cm / 2300W-3000W (booster)
- 1 zone Ø20cm / 1400W - 2000W (booster), 1 zone Ø20cm / 2300W-3000W (booster)
- metal knobs
- electric oven 11 functions
- oven volume 103 L
- thermometer
- 1 baking tray, 2 wire shelves, 1 grill mesh, 1 light
- storage compartment
- stainless steel legs

Oven functions



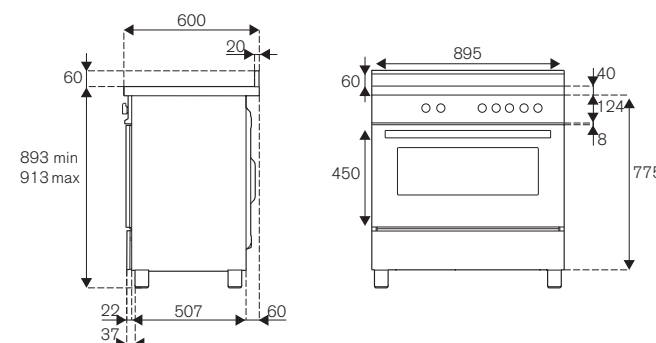
Optional Accessories

- 901348 backsplash
- 901376 toekick panel

Energy rating **A**



MAS95I1EXC



HER105I2ENET

100cm 5 induction zones, electric double oven

Features

- 5 induction zones
- 2 zones Ø16cm / 1100W - 1400W (booster), 1 zone Ø23cm / 2300W-3000W (booster)
- 1 zone Ø20cm / 1400W - 2000W (booster), 1 zone Ø20cm / 2300W-3000W (booster)
- metal finishes knobs
- electric oven 11 functions with gas grill
- main oven volume 69 L, auxiliary oven volume 54 L
- thermometer
- 1 telescopic glide shelf, 1 baking tray, 2 wire shelves, 1 grill mesh, 1 light
- soft closing oven door with inner triple removable glass
- soft closing drawer
- stainless steel legs

Functions (main oven)



Functions (auxiliary oven)



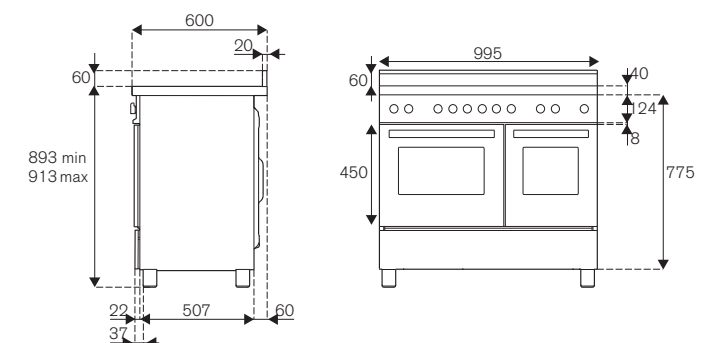
Optional Accessories

- 901367 backsplash
- 901456 legs kit H100-135mm
- 901482 3-sides toekick panel

Energy rating **A**



HER105I2ENET



Heritage Series



HER95I2EAVT

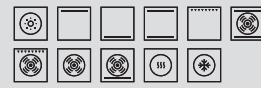
HER95I2ENET

90cm 5 induction zones, electric double oven

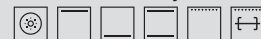
Features

- 5 induction zones
- 2 zones Ø16cm / 1100W - 1400W (booster), 1 zone Ø23cm / 2300W-3000W (booster)
- 1 zone Ø20cm / 1400W - 2000W (booster), 1 zone Ø20cm / 2300W-3000W (booster)
- metal knobs
- electric oven 11 functions with gas grill
- main oven volume 69 L, auxiliary oven volume 38 L
- thermometer
- 1 telescopic glide shelf, 1 baking tray, 2 wire shelves, 1 grill mesh, 1 light
- soft closing oven door with inner triple removable glass
- soft closing drawer
- stainless steel legs

Functions (main oven)



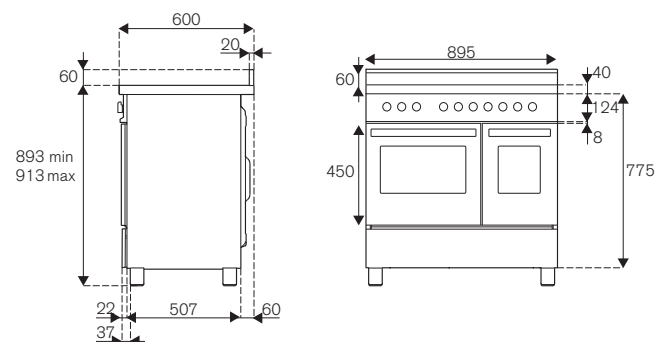
Functions (auxiliary oven)



Optional Accessories

- 901348 backsplash
- 901481 toekick panel

Energy rating **A**



Electric Multifunction Oven

Professional Series



PRO126G2ENET



PRO126G2EBIT



PRO126G2EGIT



PRO126G2EART



PRO126G2EROT

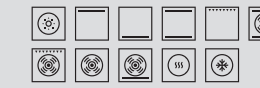
PRO126G2EXT

120cm 6 burners + teppan yaki, electric double oven

Features

- 6 brass gas burners + 1 Teppan-Yaki griddle
- 5kw lateral dual wok
- metal finishes knobs
- cast iron pan supports
- electric oven 11 functions
- main oven volume 69 L, auxiliary oven volume 69 L
- digital programmer with food probe
- 1 telescopic glide shelf, 1 baking tray, 2 wire shelves, 1 grill mesh, 1 light
- soft closing oven door with inner triple removable glass
- soft closing drawer
- stainless steel legs

Functions (main oven)



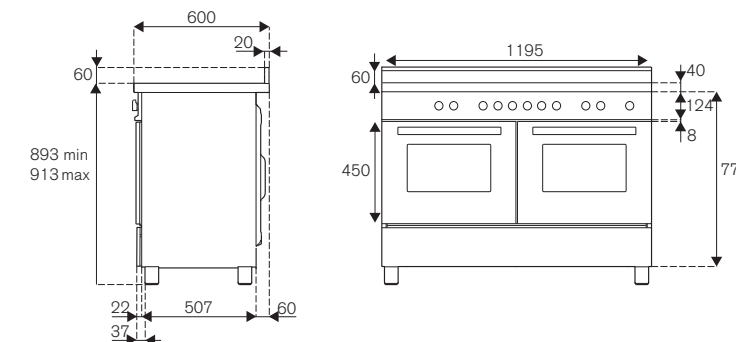
Functions (auxiliary oven)



Optional Accessories

- 901368 backsplash
- 901438 simmer ring
- 901439 wok ring
- 901456 legs kit H100-135mm
- 901483 3-sides toekick panel

Energy rating **A**



HER95I1ENET

90cm 5 induction zones, electric oven

Features

- 5 induction zones
- 2 zones Ø16cm / 1100W - 1400W (booster), 1 zone Ø25cm / 2300W-3000W (booster)
- 1 zone Ø20cm / 1400W - 2000W (booster), 1 zone Ø20cm / 2300W-3000W (booster)
- metal knobs
- electric oven 11 functions with gas grill
- oven volume 103 L
- thermometer
- 1 telescopic glide shelf, 1 baking tray, 2 wire shelves, 1 grill mesh, 1 light
- soft closing oven door with inner triple removable glass
- soft closing drawer
- stainless steel legs

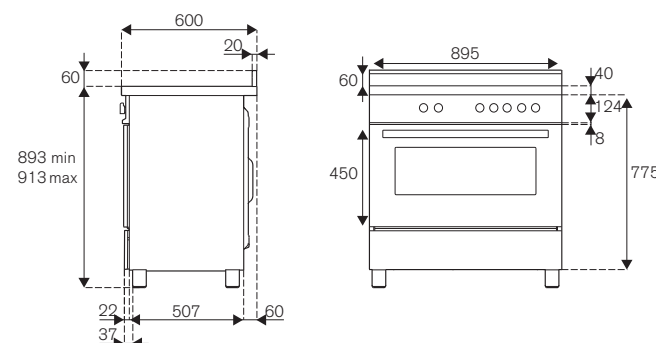
Oven functions



Optional Accessories

- 901348 backsplash
- 901481 toekick panel

Energy rating **A**



PRO116L3ENET



PRO116L3EBIT



PRO116L3EGIT



PRO116L3EART



PRO116L3EROT

PRO116L3EXT

110cm 6 burners, electric triple oven

Features

- 6 brass gas burners
- 5kw lateral dual wok
- metal finishes knobs
- cast iron pan supports
- electric oven 11 functions
- main oven volume 69 L, auxiliary oven volume 54 L, third 24 L
- digital programmer with food probe
- 1 telescopic glide shelf, 1 baking tray, 2 wire shelves, 1 grill mesh, 1 light
- soft closing oven door with inner triple removable glass
- soft closing drawer
- stainless steel legs

Functions (main oven)



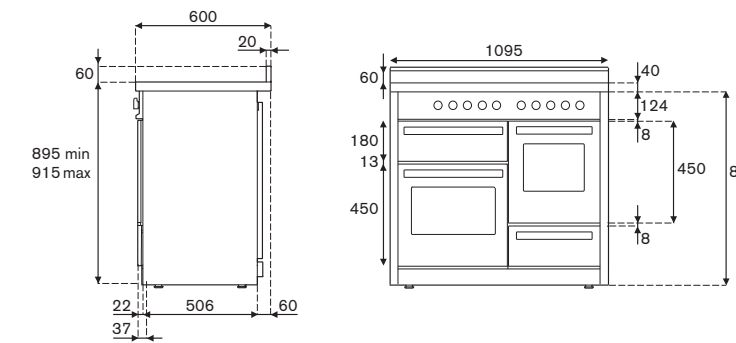
Functions (auxiliary oven)



Optional Accessories

- 901309 teppan-yaki griddle
- 901438 simmer ring
- 901439 wok ring
- PEN06 cast iron griddle

Energy rating **A**



Professional Series

Professional Series

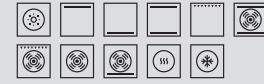


PRO106L3EXT
110cm 6 burners, electric triple oven

Features

- 6 brass gas burners
- 5kw lateral dual wok
- metal finishes knobs
- cast iron pan supports
- electric oven 11 functions
- main oven volume 69 L, auxiliary oven volume 54 L, third 24 L
- digital programmer with food probe
- 1 telescopic glide shelf, 1 baking tray, 2 wire shelves, 1 grill mesh, 1 light
- soft closing oven door with inner triple removable glass
- soft closing drawer

Functions (main oven)



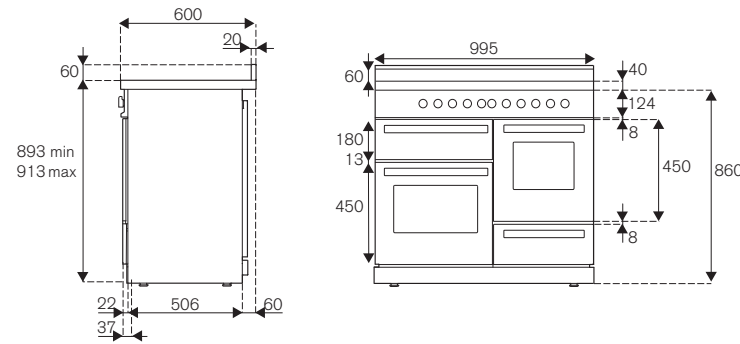
Functions (auxiliary oven)



Optional Accessories

- 901309 teppan-yaki griddle
- 901367 backslash
- 901439 wok ring
- 901456 legs kit H100-135mm
- PEN06 cast iron griddle

Energy rating **A**



PRO106L3NET



PRO106L3BIT



PRO106L3GIT



PRO106L3ART



PRO106L3ROT



PRO96L2EXT
90cm 6 burners, electric double oven

Features

- 6 brass gas burners
- 5kw lateral dual wok
- metal finishes knobs
- cast iron pan supports
- electric oven 11 functions
- main oven volume 69 L, auxiliary oven volume 38 L
- digital programmer with food probe
- 1 telescopic glide shelf, 1 baking tray, 2 wire shelves, 1 grill mesh, 1 light
- soft closing oven door with inner triple removable glass
- soft closing drawer
- stainless steel legs

Functions (main oven)



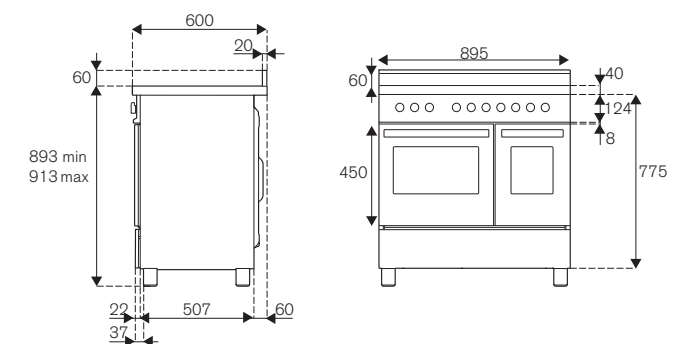
Functions (auxiliary oven)



Optional Accessories

- 901309 teppan-yaki griddle
- 901348 backslash
- 901438 simmer ring
- 901439 wok ring
- 901456 legs kit H100-135mm
- 901481 toekick panel

Energy rating **A**



PRO96L2ENET



PRO96L2EBIT



PRO96L2EGIT



PRO96L2EART



PRO96L2EROT

PRO106L2EXT
100cm 6 burners, electric double oven

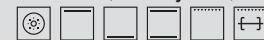
Features

- 6 brass gas burners
- 5kw lateral dual wok
- metal finishes knobs
- cast iron pan supports
- electric oven 11 functions
- main oven volume 69 L, auxiliary oven volume 54 L
- digital programmer with food probe
- 1 telescopic glide shelf, 1 baking tray, 2 wire shelves, 1 grill mesh, 1 light
- soft closing oven door with inner triple removable glass
- soft closing drawer
- stainless steel legs

Functions (main oven)



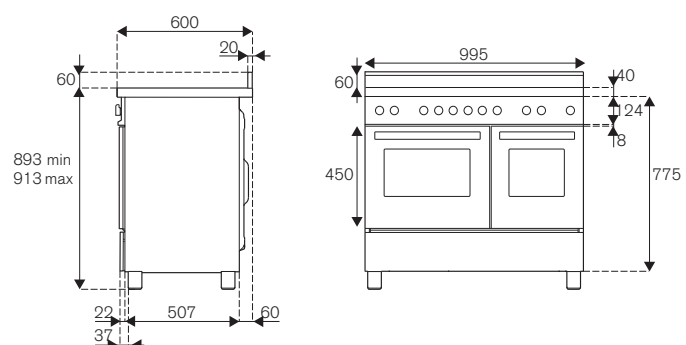
Functions (auxiliary oven)



Optional Accessories

- 901309 teppan-yaki griddle
- 901367 backslash
- 901438 simmer ring
- 901439 wok ring
- 901456 legs kit H100-135mm
- 901482 3-sides toekick panel

Energy rating **A**



PRO106L2ENET



PRO106L2EBIT



PRO106L2EGIT



PRO106L2EART



PRO106L2EROT

PRO96L1EXT
90cm 6 burners, electric oven

Features

- 6 brass gas burners
- 5kw lateral dual wok
- metal finishes knobs
- cast iron pan supports
- electric oven 11 functions
- oven volume 103 L
- digital programmer with food probe
- 1 telescopic glide shelf, 1 baking tray, 2 wire shelves, 1 grill mesh, 1 light
- soft closing oven door with inner triple removable glass
- soft closing drawer
- stainless steel legs

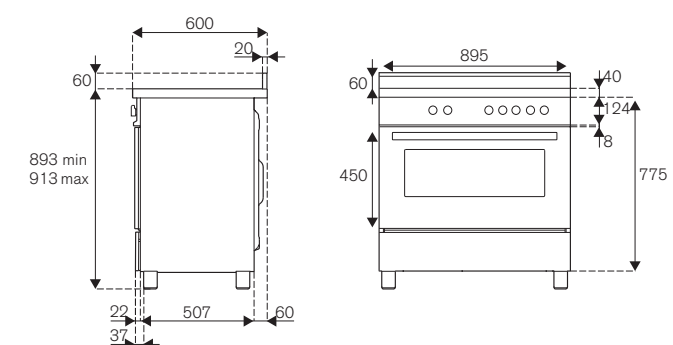
Oven functions



Optional Accessories

- 901309 teppan-yaki griddle
- 901348 backslash
- 901438 simmer ring
- 901439 wok ring
- 901456 legs kit H100-135mm
- 901481 toekick panel

Energy rating **A**



PRO96L1ENET



PRO96L1EBIT



PRO96L1EGIT



PRO96L1EART



PRO96L1EROT

Professional Series

PRO64L1EXT

60cm 4 burners, electric oven

Features

- 4 brass gas burners
- 5kw lateral dual wok
- metal finishes knobs
- cast iron pan supports
- electric oven 11 functions
- oven volume 69 L
- digital programmer with food probe
- 1 telescopic glide shelf, 1 baking tray, 2 wire shelves, 1 grill mesh, 1 light
- soft closing oven door with inner triple removable glass
- soft closing drawer

Oven functions



Optional Accessories

- 901347 backsplash
- 901389 toeckick panel
- 901438 simmer ring
- 901439 wok ring
- 901456 legs kit H100-135mm

Energy rating **A**



PRO64L1ENET



PRO64L1EBIT



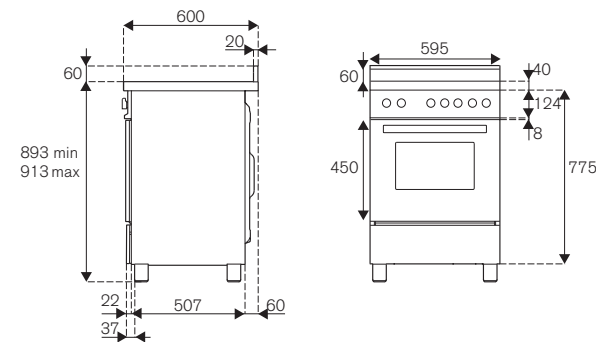
PRO64L1EGIT



PRO64L1EART



PRO64L1EROT



Master Series

MAS116L3EXC

110cm 6 burners, electric triple oven

Features

- 6 aluminum gas burners
- 5kw lateral dual wok
- metal knobs
- cast iron pan supports
- electric oven 11 functions
- main oven volume 69 L, auxiliary oven volume 54 L, third 24 L
- thermometer
- 1 baking tray, 2 wire shelves, 1 grill mesh, 1 light
- inner triple removable glass
- storage compartment

Functions (main oven)



Functions (auxiliary oven)



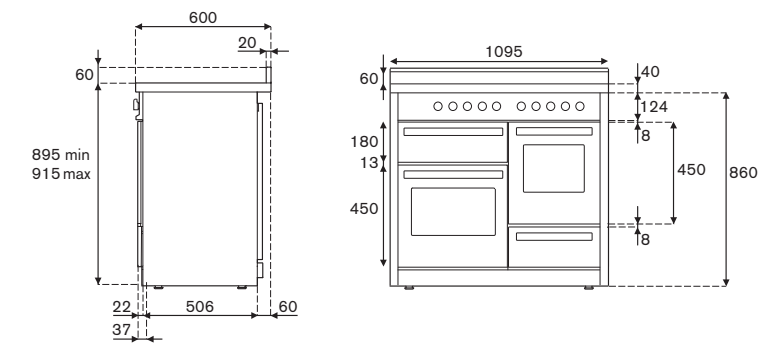
Optional Accessories

- 901309 teppan-yaki griddle
- 901438 simmer ring
- 901439 wok ring

Energy rating **A**



MAS116L3ENEC



MAS106L3EXC

100cm 6 burners, electric triple oven

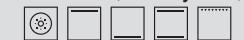
Features

- 6 aluminum gas burners
- 5kw lateral dual wok
- metal knobs
- cast iron pan supports
- electric oven 11 functions
- main oven volume 69 L, auxiliary oven volume 54 L, third 24 L
- thermometer
- 1 baking tray, 2 wire shelves, 1 grill mesh, 1 light
- inner triple removable glass
- soft closing drawer

Functions (main oven)



Functions (auxiliary oven)



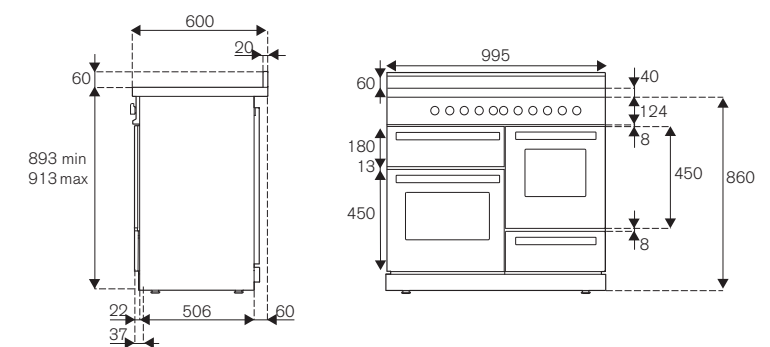
Optional Accessories

- 901309 teppan-yaki griddle
- 901367 backsplash
- 901438 simmer ring
- 901439 wok ring

Energy rating **A**



MAS106L3ENEC

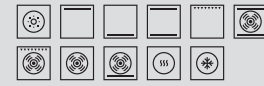




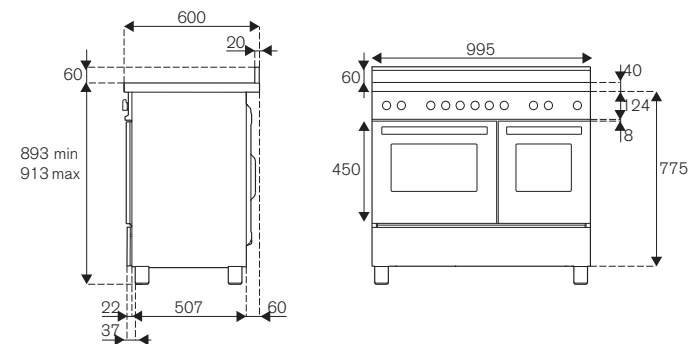
MAS106L2ENEC

MAS106L2EXC**100cm 6 burners, electric double oven****Features**

- 6 aluminum gas burners
- 5kw lateral dual wok
- metal knobs
- cast iron pan supports
- electric oven 11 functions
- main oven volume 69 L, auxiliary oven volume 54 L
- thermometer
- 1 baking tray, 2 wire shelves, 1 grill mesh, 1 light
- inner triple removable glass
- storage compartment
- stainless steel legs

Energy rating A**Functions (main oven)****Functions (auxiliary oven)****Optional Accessories**

- 901309 teppan-yaki griddle
- 901367 backslash
- 901438 simmer ring
- 901439 wok ring
- 901456 legs kit H100-135mm
- 901375 3-sides toekick panel



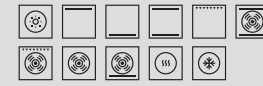
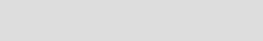
Master Series



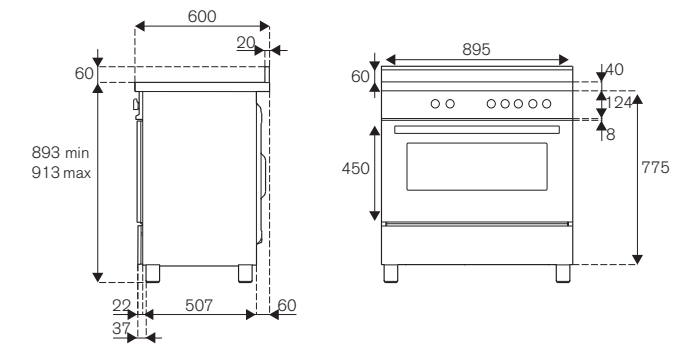
MAS95C1ENEC

MAS95C1EXC**90cm 5 burners, electric oven****Features**

- 5 aluminum gas burners
- 5kw central dual wok
- metal knobs
- cast iron pan supports
- electric oven 11 functions
- oven volume 103 L
- thermometer
- 1 baking tray, 2 wire shelves, 1 grill mesh, 1 light
- inner triple removable glass
- storage compartment
- stainless steel legs

Energy rating A**Oven functions****Functions (auxiliary oven)****Optional Accessories**

- 901309 teppan-yaki griddle
- 901348 backslash
- 901438 simmer ring
- 901439 wok ring
- 901456 legs kit H100-135mm
- 901376 3-sides toekick panel



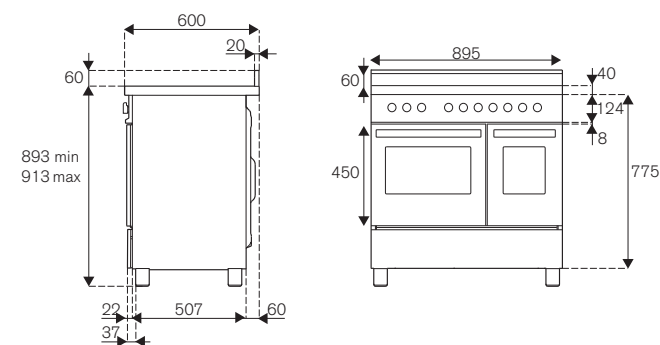
MAS95C2ENEC

MAS95C2EXC**90cm 5 burners, electric double oven****Features**

- 5 aluminum gas burners
- 5kw central dual wok
- metal knobs
- cast iron pan supports
- electric oven 11 functions
- main oven volume 69 L, auxiliary oven volume 38 L
- thermometer
- 1 baking tray, 2 wire shelves, 1 grill mesh, 1 light
- inner triple removable glass
- storage compartment
- stainless steel legs

Energy rating A**Functions (main oven)****Functions (auxiliary oven)****Optional Accessories**

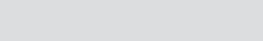
- 901309 teppan-yaki griddle
- 901348 backslash
- 901438 simmer ring
- 901439 wok ring
- 901456 legs kit H100-135mm
- 901376 3-sides toekick panel



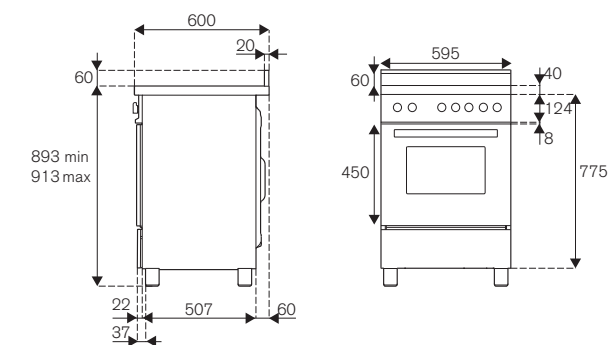
MAS64L1ENEC

MAS64L1EXC**60cm 4 burners, electric oven****Features**

- 4 aluminum gas burners
- 5kw lateral dual wok
- metal knobs
- cast iron pan supports
- electric oven 11 functions
- oven volume 69 L
- thermometer
- 1 baking tray, 2 wire shelves, 1 grill mesh, 1 light
- inner triple removable glass
- storage compartment
- stainless steel legs

Energy rating A**Oven functions****Functions (auxiliary oven)****Optional Accessories**

- 901347 backslash
- 901438 simmer ring
- 901439 wok ring
- 901456 legs kit H100-135mm
- 901377 3-sides toekick panel



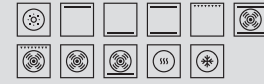
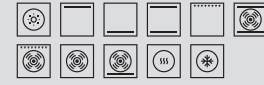
Heritage Series



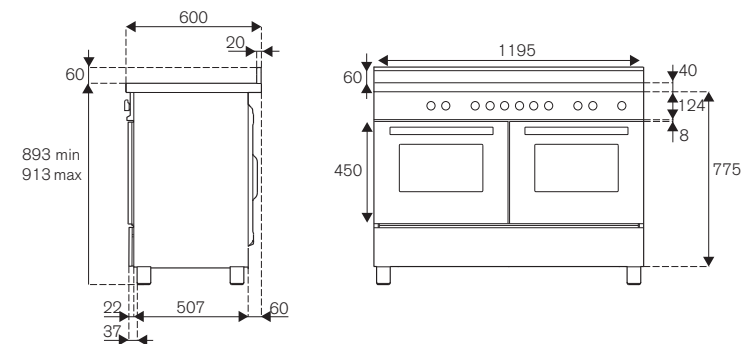
HER126G2EAVT

HER126G2ENET**120cm 6 burners + teppan yaki, electric double oven****Features**

- 6 brass gas burners + 1 Teppan-Yaki griddle
- 5kw lateral dual wok
- metal knobs
- cast iron pan supports
- electric oven 11 functions
- main oven volume 69 L, auxiliary oven volume 69 L
- thermometer
- 1 telescopic glide shelf, 1 baking tray, 2 wire shelves, 1 grill mesh, 1 light
- soft closing oven door with inner triple removable glass
- soft closing drawer
- stainless steel legs

Functions (main oven)**Functions (auxiliary oven)****Optional Accessories**

- 901368 backsplash
- 901438 simmer ring
- 901439 wok ring
- 901456 legs kit H100-135mm
- 901483 3-sides toekick panel

Energy rating A

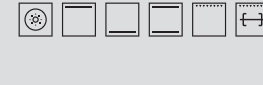
Heritage Series



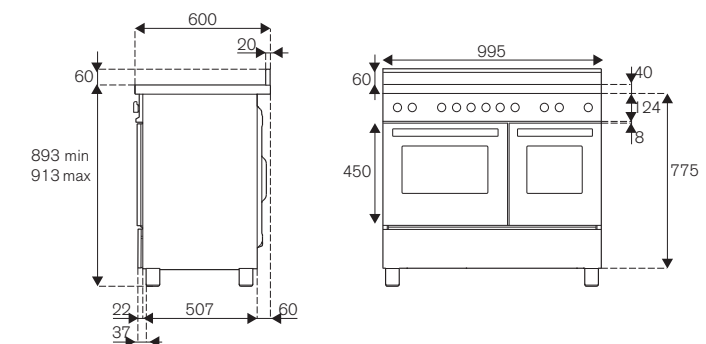
HER106L2EAVT

HER106L2ENET**100cm 6 burners, electric double oven****Features**

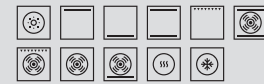
- 6 brass gas burners
- 5kw lateral dual wok
- metal knobs
- cast iron pan supports
- electric oven 11 functions
- main oven volume 69 L, auxiliary oven volume 54 L
- thermometer
- 1 telescopic glide shelf, 1 baking tray, 2 wire shelves, 1 grill mesh, 1 light
- soft closing oven door with inner triple removable glass
- soft closing drawer
- stainless steel legs

Functions (main oven)**Functions (auxiliary oven)****Optional Accessories**

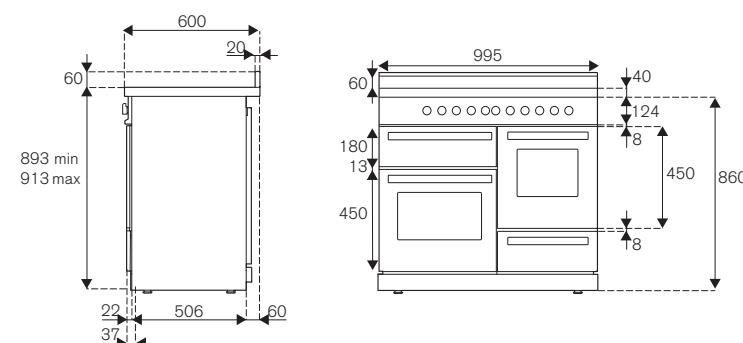
- 901309 teppan-yaki griddle
- 901367 backsplash
- 901438 simmer ring
- 901439 wok ring
- 901456 legs kit H100-135mm
- 901482 3-sides toekick panel

Energy rating A**HER106L3ENET****100cm 6 burners, electric triple oven****Features**

- 6 brass gas burners
- 5kw lateral dual wok
- metal knobs
- cast iron pan supports
- electric oven 11 functions
- main oven volume 69 L, auxiliary oven volume 54 L, third 24 L
- thermometer
- 1 telescopic glide shelf, 1 baking tray, 2 wire shelves, 1 grill mesh, 1 light
- soft closing oven door with inner triple removable glass
- soft closing drawer

Functions (main oven)**Functions (auxiliary oven)****Optional Accessories**

- 901309 teppan-yaki griddle
- 901367 backsplash
- 901438 simmer ring
- 901439 wok ring

Energy rating A

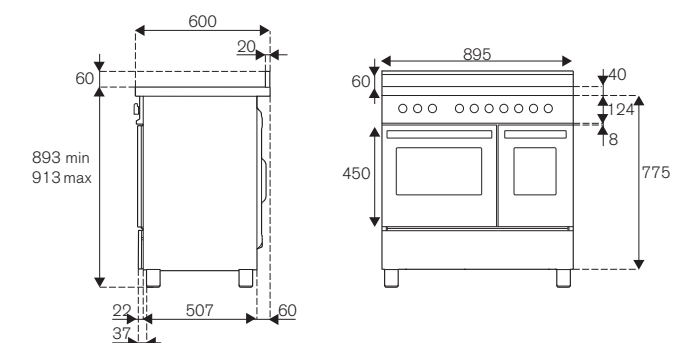
HER96L2EAVT

HER96L2ENET**90cm 6 burners, electric double oven****Features**

- 6 brass gas burners
- 5kw lateral dual wok
- metal knobs
- cast iron pan supports
- electric oven 11 functions
- main oven volume 69 L, auxiliary oven volume 38 L
- thermometer
- 1 telescopic glide shelf, 1 baking tray, 2 wire shelves, 1 grill mesh, 1 light
- soft closing oven door with inner triple removable glass
- soft closing drawer
- stainless steel legs

Functions (main oven)**Functions (auxiliary oven)****Optional Accessories**

- 901309 teppan-yaki griddle
- 901367 backsplash
- 901438 simmer ring
- 901439 wok ring
- 901456 legs kit H100-135mm
- 901481 3-sides toekick panel

Energy rating A

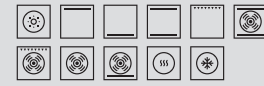
Heritage Series



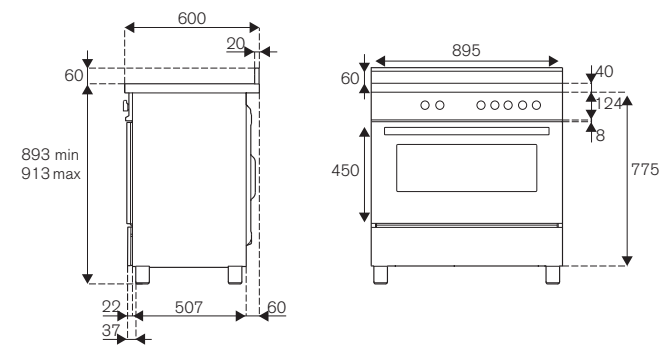
HER96L1EAVT

HER96L1ENET**90cm 6 burners, electric oven****Features**

- 6 brass gas burners
- 5kw lateral dual wok
- metal knobs
- cast iron pan supports
- electric oven 11 functions
- oven volume 103 L
- thermometer
- 1 telescopic glide shelf, 1 baking tray, 2 wire shelves, 1 grill mesh, 1 light
- soft closing oven door with inner triple removable glass
- soft closing drawer
- stainless steel legs

Oven functions**Optional Accessories**

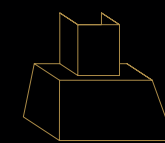
- 901309 teppan-yaki griddle
- 901348 backsplash
- 901438 simmer ring
- 901439 wok ring
- 901456 legs kit H100-135mm
- 901481 3-sides toekick panel

Energy rating A

Ventilation



Wallmount
T-Design hoods



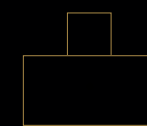
Wallmount
Chimney hoods



Wallmount
inclined hoods



Integrated hoods









Wallmount hoods
black glass



No drip undercabinet
hood

Wallmount T design hoods

120	110/100	90	60
			
KT120P1AXT 1 motor, 750 m ³ /h		KT90P1AXT 1 motor, 750 m ³ /h	KT60P1AXT 1 motor, 750 m ³ /h
X		X N NE	X
			
	KT110P1XV 1 motor, 710 m ³ /h KT100P1XV 1 motor, 710 m ³ /h	KT90P1XV 1 motor, 710 m ³ /h	KT60P1XV high edge, 800 m ³ /h
	X NE	X NE	X




Wallmount chimney hoods

120	90	110	70
			
KPH120MASXT 1 motor, 800 m ³ /h	KPH90MASXT 1 motor, 800 m ³ /h	KR110HER1NEDC 1 motor, 570 m ³ /h	KR70HER1NEDA 1 motor, 700 m ³ /h
X NE	X NE	NE A	NE A







Wallmount chimney hoods Heritage

120	100	90
		
K120HERTX+KC48HERTNE 1 motor, 752 m ³ /h	K100HERTX+KC36HERTNE 1 motor, 752 m ³ /h	K90HERTX+KC36HERTNE 1 motor, 752 m ³ /h
NE AV	NE AV	NE AV




Wallmount inclined hoods

120	100	90
		
KV120PROXT 1 motor, 800 m ³ /h	KV100PROXT 1 motor, 800 m ³ /h	KV90PROXT 1 motor, 800 m ³ /h
X	X	X





Wallmount and undercabinet hoods

120	100	90	60
			
KU120PRO2XA 2 motors, 800x2 m ³ /h		KU90PRO2XA 2 motors, 800x2 m ³ /h	
XA		XA	
			
KU120PRO1XA 1 motor, 800 m ³ /h	KU100PRO1XA 1 motor, 800 m ³ /h	KU90PRO1XA 1 motor, 800 m ³ /h	KU60PRO1XA 1 motor, 800 m ³ /h
XA	XA	XA	XA

Island hoods

120	90	40
		
KT120P1AXT low edge, 700 m ³ /h	KT190P1AX low edge, 700 m ³ /h	KUD40PRO1XA up & down, 620 m ³ /h
X	X	X

Integrated hoods

90	86	70	52
	NEW 	NEW 	NEW 
KC90PRO1XA ceiling, 700 m ³ /h	KIN86MOD1XB/2 undercabinet, 710 m ³ /h	KIN70MOD1XB/2 undercabinet, 710 m ³ /h	KIN52MOD1XC/2 undercabinet, 660 m ³ /h
X	X	X	X

Wallmount black glass and stainless steel hoods

90	90	90	60
			
KV90PRO1NA 1 motor, 570 m ³ /h	KV90MOD1NA 1 motor, 700 m ³ /h	K90AMHXA 1 motor, 800 m ³ /h	K60AMHXA 1 motor, 700 m ³ /h
N	N	X	X

Wallmount Hoods T Design



KT120P1AXT

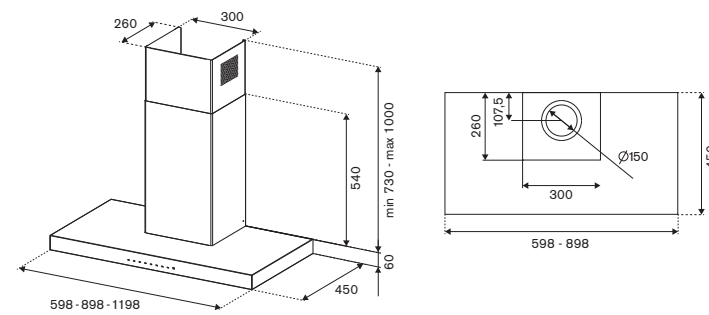
120cm wallmount hood

Features

- 1 motor, 3 speed + booster
- electronic controls with LED indicator
- timer
- stainless steel grease filter
- max extraction power 750m³/h
- noise level 69dBA
- 3 LED lights
- filters saturation alarm
- installation for extraction mode or filtering mode
- anti-finger print stainless steel

Energy rating **A+**

Optional Accessories
- 901497 kit charcoal filter



KT60P1AXT

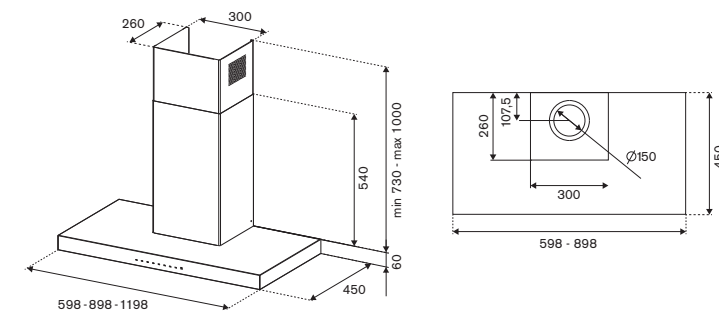
60cm wallmount hood

Features

- 1 motor, 3 speed + booster
- electronic controls with LED indicator
- timer
- stainless steel grease filter
- max extraction power 750m³/h
- noise level 69dBA
- 3 LED lights
- filters saturation alarm
- installation for extraction mode or filtering mode
- anti-finger print stainless steel

Energy rating **A+**

Optional Accessories
- 901497 kit charcoal filter



KT90P1AXT

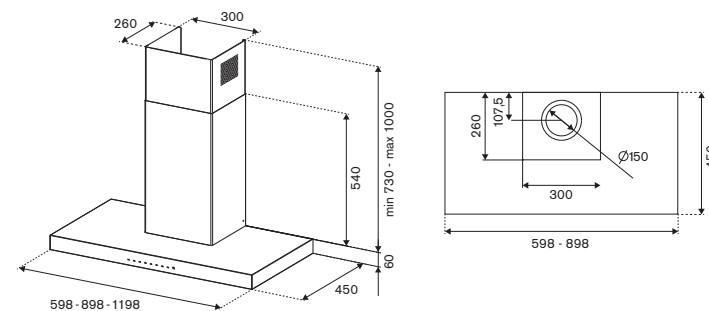
90cm wallmount hood

Features

- 1 motor, 3 speed + booster
- electronic controls with LED indicator
- timer
- stainless steel grease filter
- max extraction power 750m³/h
- noise level 69dBA
- 3 LED lights
- filters saturation alarm
- installation for extraction mode or filtering mode
- anti-finger print stainless steel

Energy rating **A+**

Optional Accessories
- 901497 kit charcoal filter



KT90P1ANET
nero matt

KT90P1ANT
carbonio

versione
carbonio





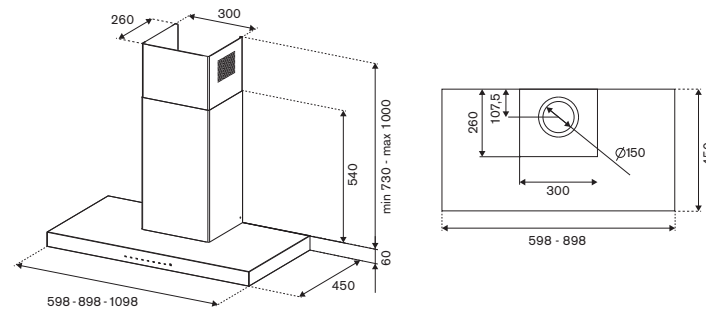
KT110P1XV
110cm wallmount hood

Features

- 1 motor, 4 speed
- electronic controls
- timer
- aluminum grease filter
- max extraction power 710m³h
- noise level 45-67dBA
- 2 LED lights
- installation for extraction mode or filtering mode
- anti-finger print stainless steel

Energy rating **A**

Optional Accessories
- 901497 kit charcoal filter



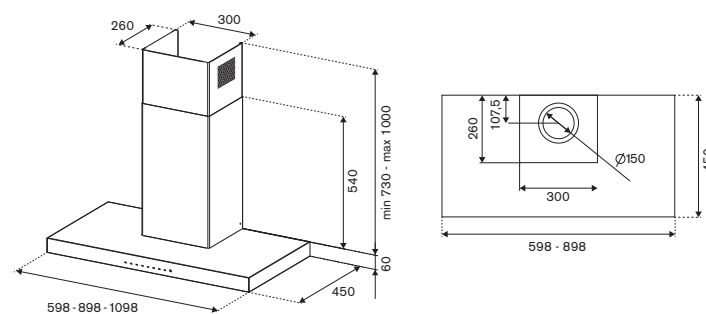
KT100P1XV
100cm wallmount hood

Features

- 1 motor, 4 speed
- electronic controls
- timer
- aluminum grease filter
- max extraction power 710m³h
- noise level 45-67dBA
- 2 LED lights
- installation for extraction mode or filtering mode
- anti-finger print stainless steel

Energy rating **A**

Optional Accessories
- 901497 kit charcoal filter



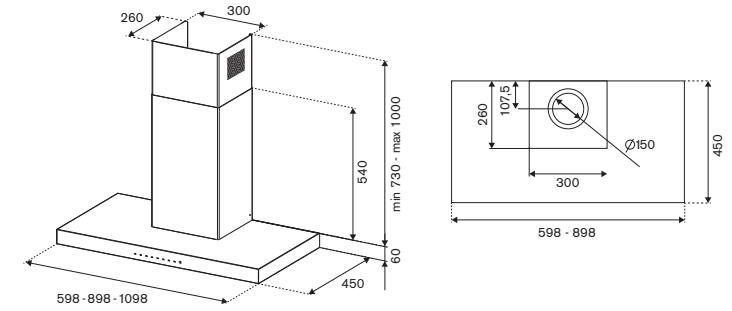
KT90P1XV
90cm wallmount hood

Features

- 1 motor, 4 speed
- electronic controls
- timer
- aluminum grease filter
- max extraction power 710m³h
- noise level 45-67dBA
- 2 LED lights
- installation for extraction mode or filtering mode
- anti-finger print stainless steel

Energy rating **A**

Optional Accessories
- 901497 kit charcoal filter



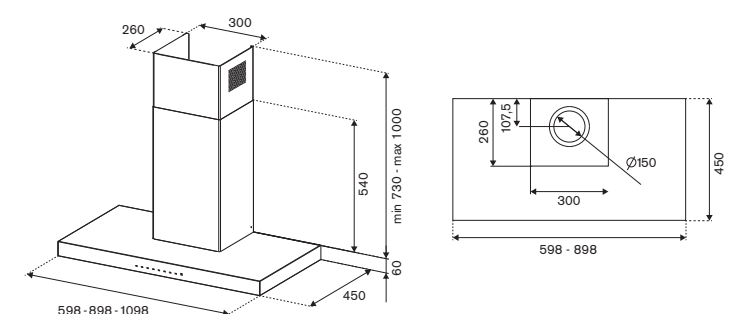
KT60P1XV
60cm wallmount hood

Features

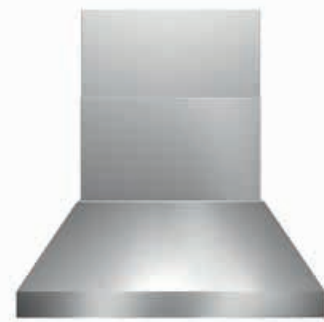
- 1 motor, 4 speed
- electronic controls
- timer
- aluminum grease filter
- max extraction power 710m³h
- noise level 45-67dBA
- 2 LED lights
- installation for extraction mode or filtering mode
- anti-finger print stainless steel

Energy rating **A**

Optional Accessories
- 901497 kit charcoal filter



Wallmount chimney hoods



KPH120MASNET
nero matt

KPH120MASXT
120cm wallmount hood

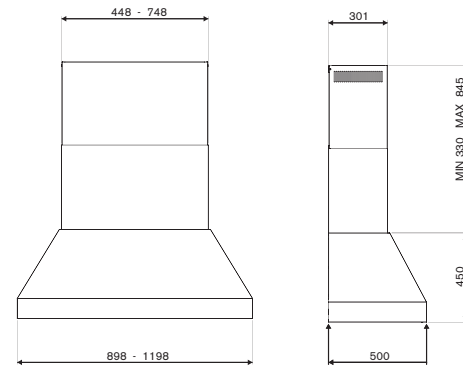
Features

- 1 motor, 3 speed
- controls with knobs
- stainless steel grease filter
- max extraction power 850m³h
- noise level 67dBA
- LED bar illumination
- installation for extraction mode or filtering mode
- stainless steel or nero matt finishes

Energy rating **C**

Optional Accessories

- 901589 kit carbon filters
- 901590 kit carbon filters long lasting



KR110HER1ADC
ivory

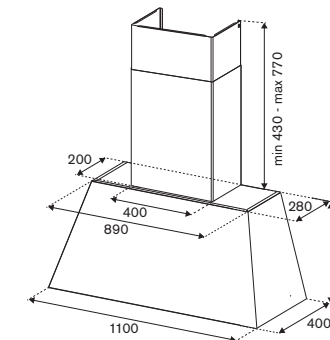
KR110HER1NEDC
110cm wallmount chimney hood

Features

- 1 motor, 3 speed + booster
- knobs controls
- stainless steel grease filter
- max. extraction power 570m³h
- noise level 67dBA
- 2 LED lights
- installation for extraction mode or filtering mode
- nero matt and ivory finishes

Energy rating **C**

Optional Accessories
- 901395 kit carbon filters



KPH90MASNET
nero matt

KPH90MASXT
90cm wallmount hood

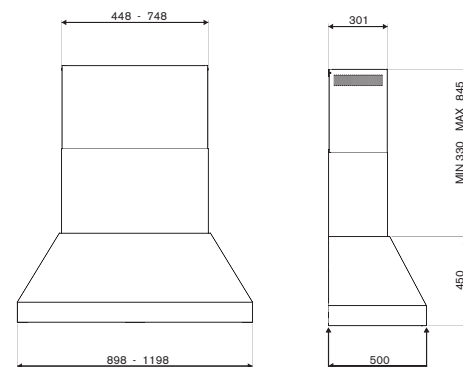
Features

- 1 motor, 3 speed
- controls with knobs
- stainless steel grease filter
- max extraction power 850m³h
- noise level 67dBA
- LED bar illumination
- installation for extraction mode or filtering mode
- stainless steel or nero matt finishes

Energy rating **C**

Optional Accessories

- 901589 kit carbon filters
- 901590 kit carbon filters long lasting



KR70HER1ADA
ivory

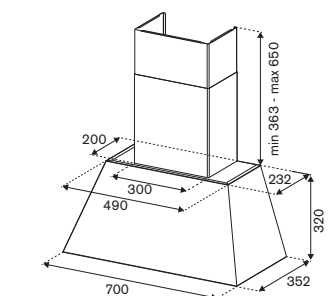
KR70HER1NEDA
70cm wallmount chimney hood

Features

- 1 motor, 3 speed + booster
- knobs controls
- stainless steel grease filter
- max. extraction power 570m³h
- noise level 67dBA
- 2 LED lights
- installation for extraction mode or filtering mode
- nero matt and ivory finishes

Energy rating **A**

Optional Accessories
- 901395 kit carbon filters



Wallmount chimney hoods Heritage



K120HERTX
KC48HERTAV
ivory

K120HERTX+KC48HERTNE
120cm wallmount chimney hood

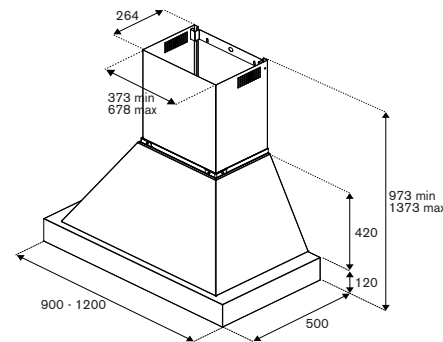
Features

- 1 motor, 4 speed
- controls with buttons
- stainless steel grease filter
- max. extraction power 752m³h
- noise level 45-67dBA
- 2 LED lights
- installation for extraction mode or filtering mode
- nero matt or ivory finishes

Energy rating **A**

Optional Accessories*
- 901394 kit carbon filters

* Available Decor Set with gold, copper and black nickel finishes



K90HERTX
KC36HERTAV
ivory

K90HERTX+KC36HERTNE
90cm wallmount chimney hood

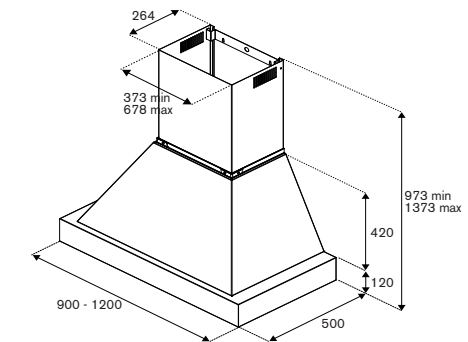
Features

- 1 motor, 4 speed
- controls with buttons
- stainless steel grease filter
- max. extraction power 752m³h
- noise level 45-67dBA
- 2 LED lights
- installation for extraction mode or filtering mode
- nero matt or ivory finishes

Energy rating **A**

Optional Accessories*
- 901394 kit carbon filters

* Available Decor Set with gold, copper and black nickel finishes



Wallmount inclined hoods



K100HERTX
KC36HERTAV
ivory

K100HERTX+KC36HERTNE
100cm wallmount chimney hood

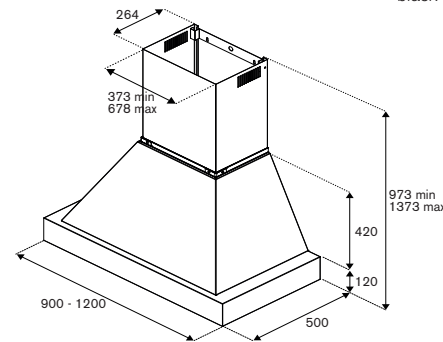
Features

- 1 motor, 4 speed
- controls with buttons
- stainless steel grease filter
- max. extraction power 752m³h
- noise level 45-67dBA
- 2 LED lights
- installation for extraction mode or filtering mode
- nero matt or ivory finishes

Energy rating **A**

Optional Accessories*
- 901394 kit carbon filters

* Available Decor Set with gold, copper and black nickel finishes



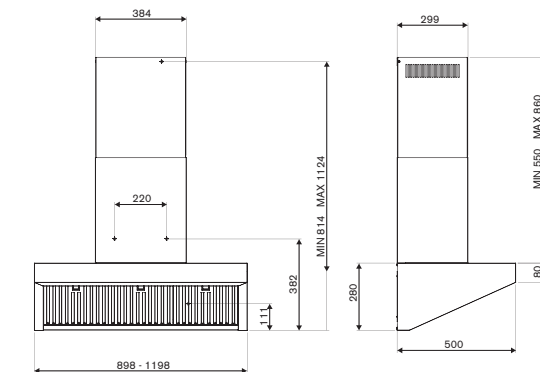
KV120PROXT
120cm wallmount vertical inclined hood

Features

- 1 motor, 3 speed + booster
- touch controls
- timer
- aluminum grease filter
- filters saturation alarm
- max. extraction power 800m³h
- noise level 73dBA
- LED lights
- stainless steel finishes

Energy rating **A**

Optional Accessories
- 901498 kit charcoal filter



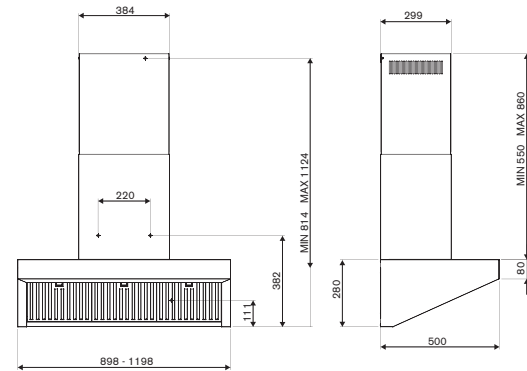


KV100PROXT
100cm wallmount vertical inclined hood

- Features**
- 1 motor, 3 speed + booster
 - touch controls
 - timer
 - aluminum grease filter
 - filters saturation alarm
 - max. extraction power 800m³h
 - noise level 73dBA
 - LED lights
 - stainless steel finishes

Energy rating **A**

Optional Accessories
- 901498 kit charcoal filter



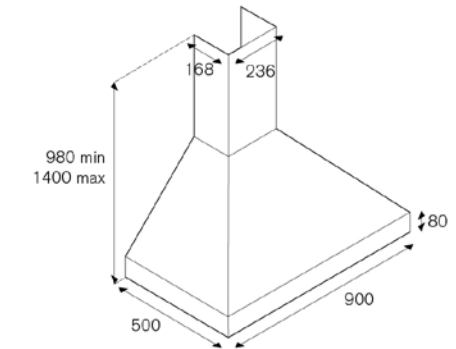
Wallmount hoods



K90AMHXA
90cm wallmount hood

- Features**
- 1 motor, 3 speed
 - push buttons controls
 - aluminum mesh filter
 - max extraction power 800m³h
 - noise level 67dBA
 - 2 LED lights
 - duct cover included
 - anti-finger print stainless

Energy rating **A**

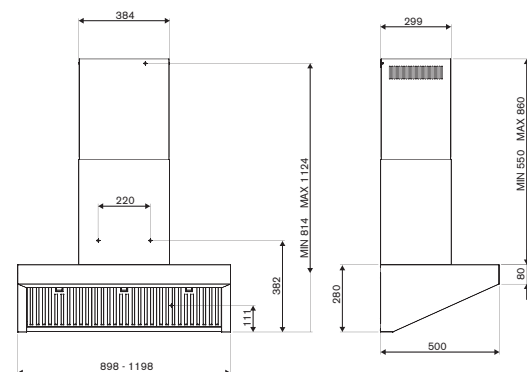


KV90PROXT
90cm wallmount vertical inclined hood

- Features**
- 1 motor, 3 speed + booster
 - touch controls
 - timer
 - aluminum grease filter
 - filters saturation alarm
 - max. extraction power 800m³h
 - noise level 73dBA
 - LED lights
 - stainless steel finishes

Energy rating **A**

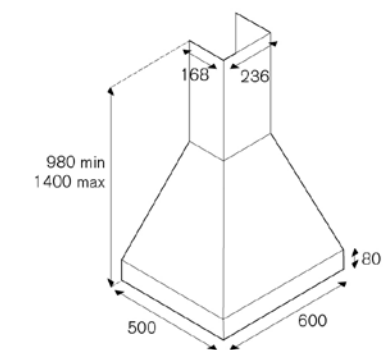
Optional Accessories
- 901498 kit charcoal filter



K60AMHXA
60cm wallmount hood

- Features**
- 1 motor, 3 speed
 - push buttons controls
 - aluminum mesh filter
 - max extraction power 800m³h
 - noise level 67dBA
 - 2 LED lights
 - duct cover included
 - anti-finger print stainless

Energy rating **A**



Wallmount black glass hoods



KV90PRO1NA

90cm flat vertical wall hood

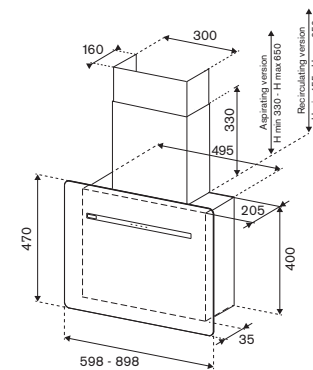
Features

- 1 motore, 3 velocità + booster
- comandi touch
- timer
- filtri in alluminio
- allarme saturazione filtri
- portata max 570^{m³}h
- rumorosità 73 dbA
- illuminazione a LED
- finitura in black glass

Energy rating **A**

Optional Accessories

- 901589 kit carbon filters
- 901590 kit carbon filters long lasting



Wallmount undercabinet Hoods



KU120PRO2XA

120cm wallmount & undermount hood, 2 motors

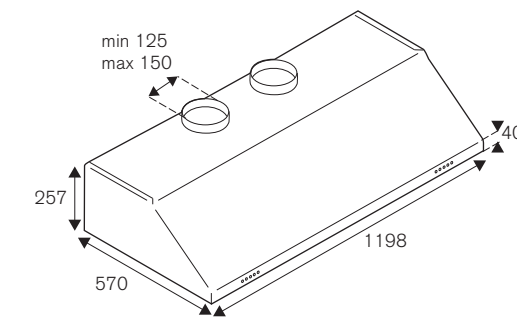
Features

- 2 motors, 3 speed
- electronic buttons
- stainless steel grease filter
- max. extraction power 1600^{m³}h
- noise level 29-59dBA
- 4 halogen lights
- anti-fingerprint stainless steel
- optional duct cover

Energy rating **A**

Optional Accessories

- 901394 kit charcoal filter
- 901263 medium duct cover
- 901262 narrow duct cover
- 901281 narrow short duct cover
- 901264 Y connector



KV90MOD1NA

90cm wallmount vertical inclined hood

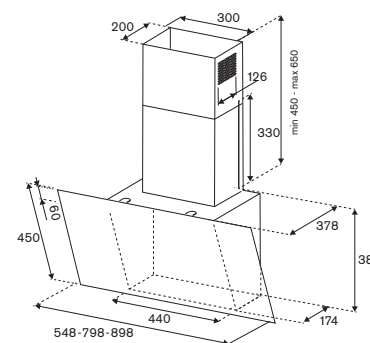
Features

- 1 motor, 3 speed + booster
- touch controls
- timer
- aluminum grease filter
- max. extraction power 700^{m³}h
- noise level 70dBA
- LED lights
- filters saturation alarm
- black glass finishes, stainless steel duct cover

Energy rating **A+**

Optional Accessories

- 901589 kit carbon filters
- 901590 kit carbon filters long lasting



KU90PRO2XA

90cm wallmount & undermount hood, 2 motors

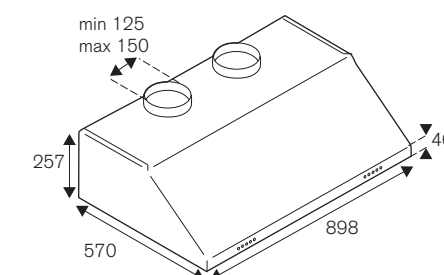
Features

- 2 motors, 3 speed
- electronic buttons
- stainless steel grease filter
- max. extraction power 1600^{m³}h
- noise level 29-59dBA
- 4 halogen lights
- anti-fingerprint stainless steel
- optional duct cover

Energy rating **A**

Optional Accessories

- 901394 kit charcoal filter
- 901263 medium duct cover
- 901262 narrow duct cover
- 901281 narrow short duct cover
- 901264 Y connector





KU120PRO1XA

120cm wallmount & undermount hood, 1 motor

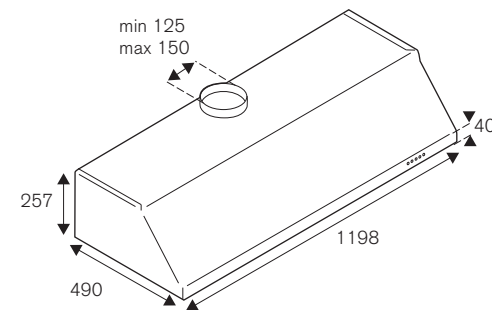
Features

- 1 motor, 3 speed
- electronic buttons
- stainless steel grease filter
- max. extraction power 800m³h
- noise level 29-59dBA
- 2 halogen lights
- anti-fingerprint stainless steel
- optional duct cover

Optional Accessories

- 901394 kit charcoal filter
- 901263 medium duct cover
- 901262 narrow duct cover
- 901281 narrow short duct cover

Energy rating **A**



KU90PRO1XA

90cm wallmount & undermount hood, 1 motor

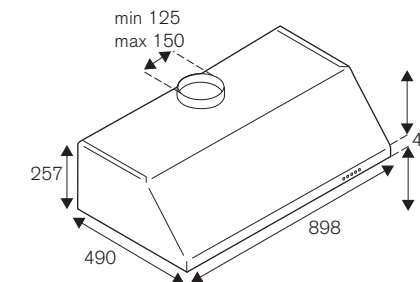
Features

- 1 motor, 3 speed
- electronic buttons
- stainless steel grease filter
- max. extraction power 800m³h
- noise level 29-59dBA
- 2 halogen lights
- anti-fingerprint stainless steel
- optional duct cover

Optional Accessories

- 901394 kit charcoal filter
- 901263 medium duct cover
- 901262 narrow duct cover
- 901281 narrow short duct cover

Energy rating **A**



KU100PRO1XA

100cm wallmount & undermount hood, 1 motor

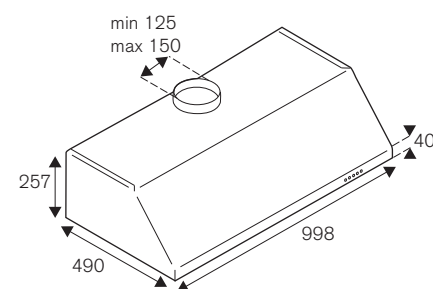
Features

- 1 motor, 3 speed
- electronic buttons
- stainless steel grease filter
- max. extraction power 800m³h
- noise level 29-59dBA
- 2 halogen lights
- anti-fingerprint stainless steel
- optional duct cover

Optional Accessories

- 901394 kit charcoal filter
- 901263 medium duct cover
- 901262 narrow duct cover
- 901281 narrow short duct cover

Energy rating **A**



KU60PRO1XA

60cm wallmount & undermount hood, 1 motor

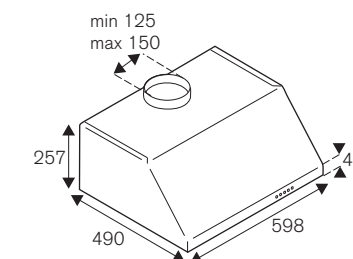
Features

- 1 motor, 3 speed
- electronic buttons
- stainless steel grease filter
- max. extraction power 800m³h
- noise level 29-59dBA
- 2 halogen lights
- anti-fingerprint stainless steel
- optional duct cover

Optional Accessories

- 901394 kit charcoal filter
- 901262 narrow duct cover
- 901281 narrow short duct cover

Energy rating **A**



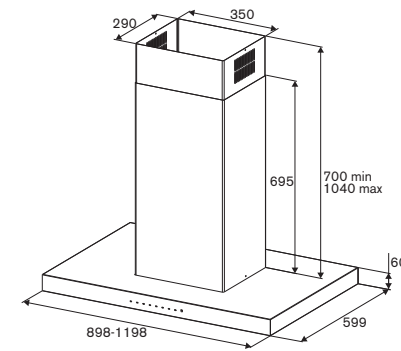
Island Hoods

**KTI120P1AXT****120cm island mount hoods**

- 1 motor, 3 speed + booster
- Electronic control with LED
- timer
- stainless steel grease filter
- max. extraction power 700m³/h
- noise level 69dBA
- 4 LED lights
- filters saturation alarm
- installation for extraction mode or filtering mode
- anti-finger print stainless steel

Energy rating **A+**

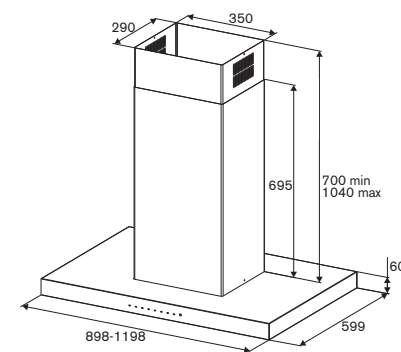
Optional Accessories
- 901497 kit charcoal filter

**KTI90P1AXT****90cm island mount hoods****Features**

- 1 motor, 3 speed + booster
- Electronic control with LED
- timer
- stainless steel grease filter
- max. extraction power 700m³/h
- noise level 69dBA
- 4 LED lights
- filters saturation alarm
- installation for extraction mode or filtering mode
- anti-finger print stainless steel

Energy rating **A+**

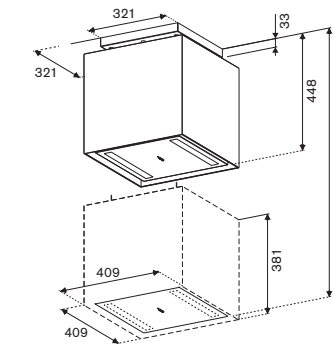
Optional Accessories
- 901497 kit charcoal filter

**KUD40PRO1XA****40cm up & down hood****Features**

- 1 motor, 3 speed + booster
- electronic buttons and remote control
- timer
- aluminum grease filter
- max. extraction power 620m³/h
- noise level 71dBA
- LED lights
- filters saturation alarm
- nero matt finishes
- kit charcoal filter included

Energy rating **A+**

Optional Accessories
- 901499 kit charcoal filter



Integrated Hoods

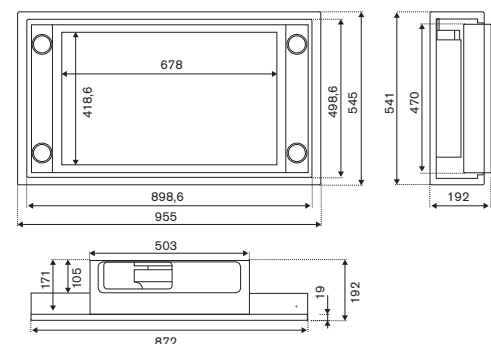


KC90PRO1XA
90cm ceiling hood

- Features**
- 1 motor, 3 speed + booster
 - remote control
 - aluminum grease filter
 - max. extraction power 700m³h
 - noise level 72dBA
 - 4 LED lights
 - filters saturation alarm
 - perimetral aspiration
 - stainless steel finishes

Energy rating **A+**

Optional Accessories
- 901500 kit charcoal filter

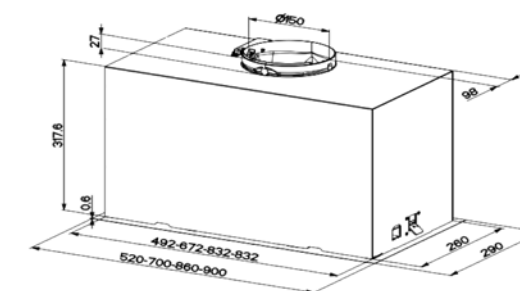


KIN70MOD1XB/2
70cm undercabinet hood

- Features**
- 1 motor, 3 speed + booster
 - controls with buttons
 - aluminum grease filter
 - max. extraction power 710m³h
 - noise level 70dBA
 - 2 LED lights
 - filters saturation alarm
 - perimetral aspiration
 - stainless steel finishes

Energy rating **C**

Optional Accessories
- 901499 kit charcoal filter

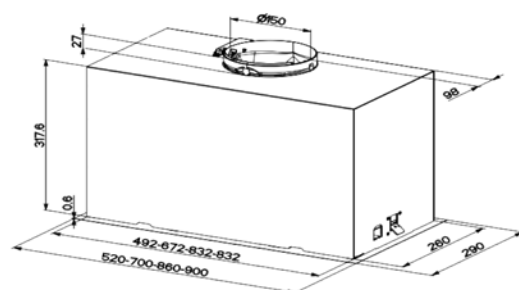


KIN86MOD1XB/2
86cm undercabinet hood

- Features**
- 1 motor, 3 speed + booster
 - controls with buttons
 - aluminum grease filter
 - max. extraction power 710m³h
 - noise level 70dBA
 - 2 LED lights
 - filters saturation alarm
 - perimetral aspiration
 - stainless steel finishes

Energy rating **C**

Optional Accessories
- 901499 kit charcoal filter

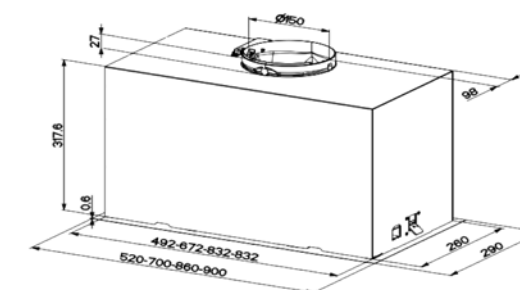


KIN52MOD1XC/2
52cm undercabinet hood

- Features**
- 1 motor, 3 speed + booster
 - controls with buttons
 - aluminum grease filter
 - max. extraction power 660m³h
 - noise level 71dBA
 - 2 LED lights
 - filters saturation alarm
 - perimetral aspiration
 - stainless steel finishes

Energy rating **C**

Optional Accessories
- 901499 kit charcoal filter



Built-in Refrigerators and Wine Columns



Built-in columns



Built-in bottom mount



Built-in wine columns



Freestanding Multi door

**Built-in Refrigerators Columns
Slot-in Luxury**

90

Professional, Master and Heritage Series



LRD905UBRXTT/24
H 212
stainless steel door
right door hinges

LRD905UBRPPT/24
H 212
paneled door
right door hinges

LRD905UBLXTT/24
H 212
stainless steel door
left door hinges

LRD905UBLPTT/24
H 212
paneled door
left door hinges

75

Professional, Master and Heritage Series



LRD755UBRXTT/24
H 212
stainless steel door
right door hinges

LRD755UBRPPT/24
H 212
paneled door
right door hinges

LRD755UBLXTT/24
H 212
stainless steel door
left door hinges

LRD755UBLPTT/24
H 212
paneled door
left door hinges

60

Professional, Master and Heritage Series



LRD605UBRXTT/24
H 212
stainless steel door
right door hinges

LRD605UBRPPT/24
H 212
paneled door
right door hinges

**Built-in Freezer Columns
Slot-in Luxury**

75

Professional, Master and Heritage Series



FRZ755UBLXTT/24
H 212
stainless steel door
left door hinges

FRZ755UBLPTT/24
H 212
paneled door
left door hinges

FRZ605UBLXTT/24
H 212
stainless steel door
left door hinges

FRZ605UBLPTT/24
H 212
paneled door
left door hinges

60

Professional, Master and Heritage Series



WC605BRX2T
H 212
stainless steel door
right door hinges

WC605BLX2T
H 212
stainless steel door
left door hinges

WC605BRP2T
H 212
stainless steel door
right door hinges

WC605BLP2T
H 212
stainless steel door
left door hinges

45

Professional, Master and Heritage Series



WC455BRX2T
H 212
stainless steel door
Professional and Master Series
right door hinges

WC455BLX2T
H 212
stainless steel door
left door hinges

WC455BRP2T
H 212
stainless steel door
right door hinges

WC455BLP2T
H 212
stainless steel door
left door hinges





Built-in Refrigerators Columns Slot-in Premium

75	60
Professional, Master, Heritage Series	
	
RLD75S5FPNS H 212 paneled door reversible door	RLD60S5FPNS H 212 paneled door reversible door

Built-in Freezer Columns Slot-in Premium

60	45
Professional, Master, Heritage Series	
	
RFZ60S5FPNS H 212 paneled door reversible door	RFZ45S5FPLS H 212 paneled door left door hinges

Built-in wine Columns

60	45	55
Professional, Master, Heritage Series		
		
RWC60S5TPNS H 212 paneled door reversible door slot-in	RWC45S5TPRS H 212 paneled door right door hinges slot-in	RWC45S5TPLS H 212 paneled door left door hinges slot-in
		
		RWC177B4TPNP H 177 paneled door reversible door





Built-in Columns





60
Professional, Master, Heritage Series

LRD603UBNPVC/20 Refrigerator H177 paneled door right door hinges

FRZ603UBNPTC/20 Freezer H177 paneled door reversible door

Built-in Bottom Mount Slot-in Luxury

90
Professional, Master, Heritage Series

REF905BBRXTT/24 H 212 stainless steel door right door hinges

REF905BBLXTT/24 H 212 stainless steel door left door hinges

REF905BBRPPT/24 H 212 paneled door right door hinges

REF905BBLPTT/24 H 212 paneled door left door hinges

75
Professional, Master, Heritage Series

REF755BBRXTT/24 H 212 stainless steel door right door hinges

REF755BBLXTT/24 H 212 stainless steel door left door hinges

REF755BBRPPT/24 H 212 paneled door right door hinges

REF755BBLPTT/24 H 212 paneled door left door hinges



Built-in bottom mount and multi door Slot-in Premium

90	75	90
Professional, Master, Heritage Series		
		
RBM90S5FPNS H 212 paneled door right door hinges reversible	RBM75S5FPNS H 212 paneled door right door hinges reversible	RFD90S5FPNS/24 H 212 french door paneled door



Built-in bottom mount



60	60
Professional, Master Series	
	
REF603BBNPVC-S/20 H177 sliding door paneled door reversible	REF603BBNPVC/20 H177 door on door paneled door reversible

Freestanding columns



60	60
Professional, Master Series	
	
RLD60F4FXNC Refrigerator H186 stainless steel door reversible	RFZ60F4FXNC Freezer H186 stainless steel door reversible

Freestanding bottom mount

60	60
Professional, Master Series	
	
RBM60F5FXNC H201 stainless steel door reversible	RBM60F4FXNC H186 stainless steel door reversible

70	60
Professional, Master Series	
	
RBM70F4FBNC H192 black glass door reversible	RBM60F5FBNC H201 black glass door reversible

Freestanding Multi door

90	84
Professional, Master, Heritage Series	Professional, Master Series
	
REF904FFNXTC H177 french door stainless steel door	RCD84F4FXNC H179 cross door stainless steel door

Built-in Refrigerators Columns

Slot-in Luxury



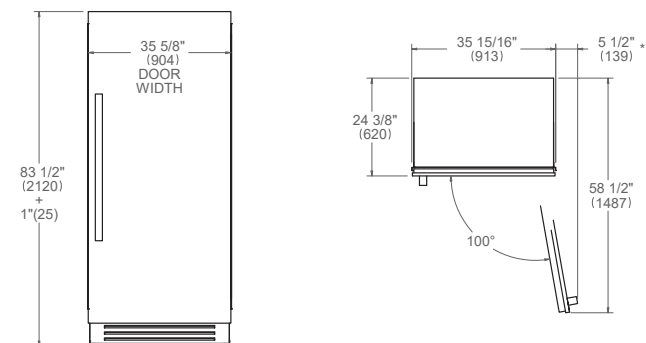
LRD905UBRXTT/24
90cm Refrigerator Built-in Column H212, to panel, right hinges

- Features**
- Total No Frost cooling system
 - flush installation
 - Stainless steel finish with coordinated handles
 - Inside digital display user interface
 - LED lights on top and sides
 - Opening door alarm
 - 4 extra-large shelves height adjustable
 - 3 drawers
 - 3 bins
 - refrigerator capacity 619L
 - noise level 41 (Db)



- Optional Accessories***
- 901556 Master handle kit
 - 901557 Professional handle kit
 - 901558 Heritage handle kit

* Available Decor Set with gold, copper and black nickel finishes



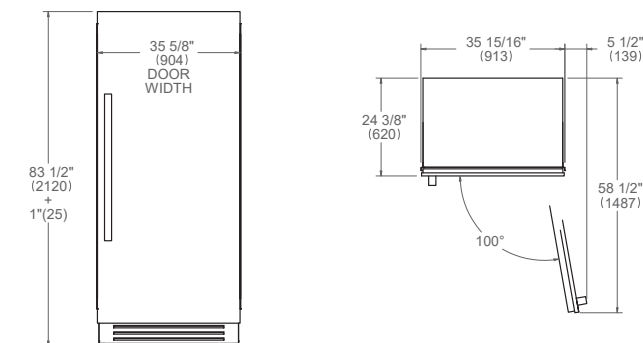
LRD905UBLXTT/24
90cm Refrigerator Built-in Column H212, stainless steel, left hinges

- Features**
- Total No Frost cooling system
 - flush installation
 - Stainless steel finish with coordinated handles
 - inside digital display user interface
 - LED lights on top and sides
 - Opening door alarm
 - 4 extra-large shelves height adjustable
 - 3 drawers
 - 3 bins
 - refrigerator capacity 619L
 - noise level 41 (Db)



- Optional Accessories***
- 901556 Master handle kit
 - 901557 Professional handle kit
 - 901558 Heritage handle kit

* Available Decor Set with gold, copper and black nickel finishes



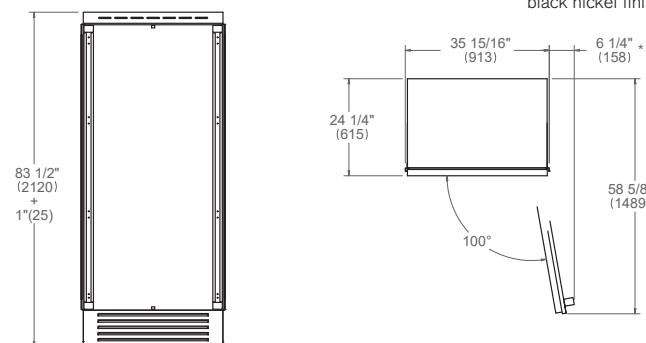
LRD905UBRPTT/24
90cm Refrigerator Built-in Column H212, to panel, right hinges

- Features**
- Total No Frost cooling system
 - flush installation
 - to panel door
 - inside digital display user interface
 - LED lights on top and sides
 - Opening door alarm
 - 4 extra-large shelves height adjustable
 - 3 drawers
 - 3 bins
 - refrigerator capacity 619L
 - noise level 41 (Db)



- Optional Accessories***
- 901556 Master handle kit
 - 901557 Professional handle kit
 - 901558 Heritage handle kit
 - 901664 carbonio panel
 - 901669 Titanium finish handle kit

* Available Decor Set with gold, copper and black nickel finishes



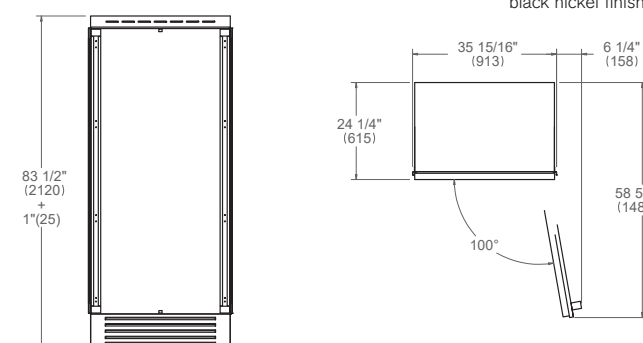
LRD905UBLPTT/24
90cm Refrigerator Built-in Column H212, to panel, left hinges

- Features**
- Total No Frost cooling system
 - flush installation
 - to panel door
 - inside digital display user interface
 - LED lights on top and sides
 - Opening door alarm
 - 4 extra-large shelves height adjustable
 - 3 drawers
 - 3 bins
 - refrigerator capacity 619L
 - noise level 41 (Db)



- Optional Accessories***
- 901556 Master handle kit
 - 901557 Professional handle kit
 - 901558 Heritage handle kit

* Available Decor Set with gold, copper and black nickel finishes



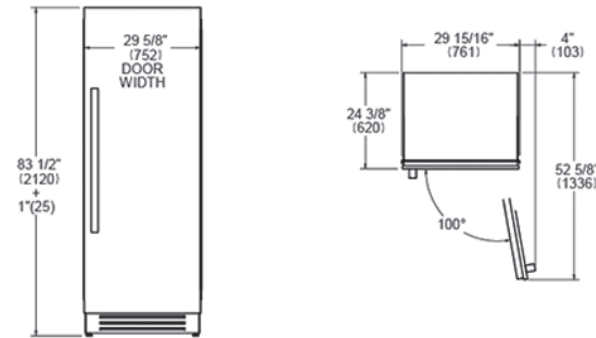
Slot-in Luxury



LRD755UBRXTT/24
75cm Refrigerator Built-in Column H212, stainless steel, right hinges

- Features**
- Total No Frost cooling system
 - flush installation
 - Stainless steel finish with coordinated handles
 - inside digital display user interface
 - LED lights on top and sides
 - Opening door alarm
 - 4 extra-large shelves height adjustable
 - 3 drawers
 - 3 bins
 - refrigerator capacity 494L
 - noise level 41 (Db)

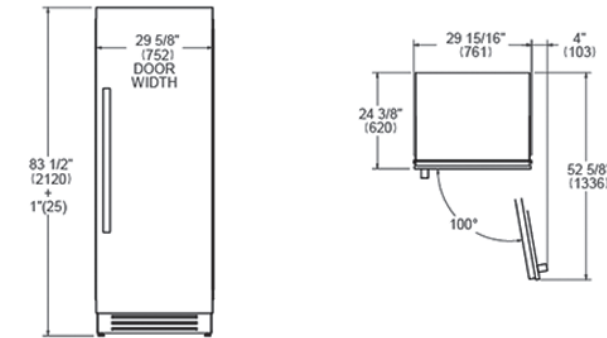
- Optional Accessories**
- 901556 Master handle kit
 - 901557 Professional handle kit
 - 901558 Heritage handle kit



LRD755UBLXTT/24
75cm Refrigerator Built-in Column H212, stainless steel, left hinges

- Features**
- Total No Frost cooling system
 - flush installation
 - stainless steel finish with coordinated handles
 - inside digital display user interface
 - LED lights on top and sides
 - opening door alarm
 - 4 extra-large shelves height adjustable
 - 3 drawers
 - 3 bins
 - refrigerator capacity 494L
 - noise level 41 (Db)

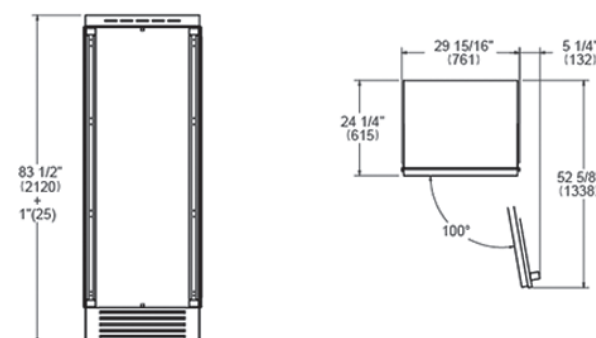
- Optional Accessories**
- 901556 Master handle kit
 - 901557 Professional handle kit
 - 901558 Heritage handle kit



LRD755UBRPTT/24
75cm Refrigerator Built-in Column H212, to panel, right hinges

- Features**
- Total No Frost cooling system
 - flush installation
 - to panel door
 - inside digital display user interface
 - LED lights on top and sides
 - Opening door alarm
 - 4 extra-large shelves height adjustable
 - 3 drawers
 - 3 bins
 - refrigerator capacity 494L
 - noise level 41 (Db)

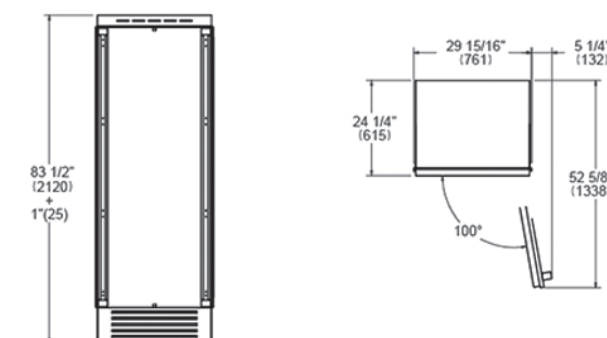
- Optional Accessories**
- 901556 Master handle kit
 - 901557 Professional handle kit
 - 901558 Heritage handle kit



LRD755UBLPTT/24
75cm Refrigerator Built-in Column H212, to panel, left hinges

- Features**
- Total No Frost cooling system
 - flush installation
 - to panel door
 - inside digital display user interface
 - LED lights on top and sides
 - opening door alarm
 - 4 extra-large shelves height adjustable
 - 3 drawers
 - 3 bins
 - refrigerator capacity 494L
 - noise level 41 (Db)

- Optional Accessories**
- 901556 Master handle kit
 - 901557 Professional handle kit
 - 901558 Heritage handle kit



Built-in Freezer Columns

Slot-in Luxury

NEW



FRZ755UBLXTT/24

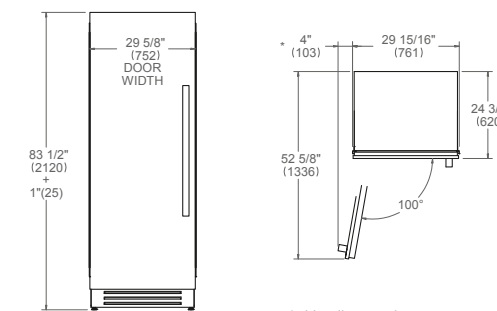
75cm Freezer Built-in Column H212, stainless steel, left hinges

Features

- Total No Frost cooling system
- flush installation
- stainless steel finish with coordinated handles
- inside digital display user interface
- LED lights on top and sides
- opening door alarm
- 2 shelves
- 2 freezer drawers
- 2 bins
- automatic ice maker - ice production up to 1,3kg/24h
- freezer capacity 452L
- noise level 41 (Db)

Optional Accessories

- 901556 Master handle kit
- 901557 Professional handle kit
- 901558 Heritage handle kit



* Handle max dimension

NEW



FRZ755UBLPTT/24

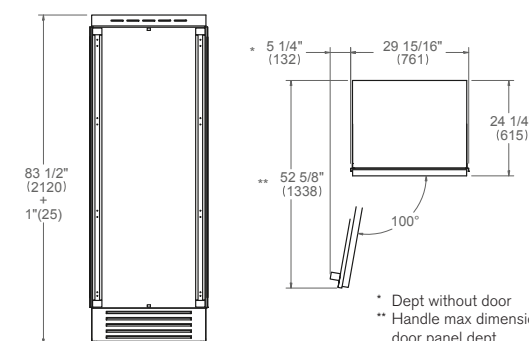
75cm Freezer Built-in Column H212, to panel, left hinges

Features

- Total No Frost cooling system
- flush installation
- stainless steel finish with coordinated handles
- inside digital display user interface
- LED lights on top and sides
- opening door alarm
- 2 shelves
- 2 freezer drawers
- 2 bins
- automatic ice maker - ice production up to 1,3kg/24h
- freezer capacity 452L
- noise level 41 (Db)

Optional Accessories*

- 901556 Master handle kit
- 901557 Professional handle kit
- 901558 Heritage handle kit
- 901666 carbonio panel
- 901669 Titanium finish handle kit



* Dept without door
** Handle max dimension (19mm) door panel dept

LRD605UBRXTT/24

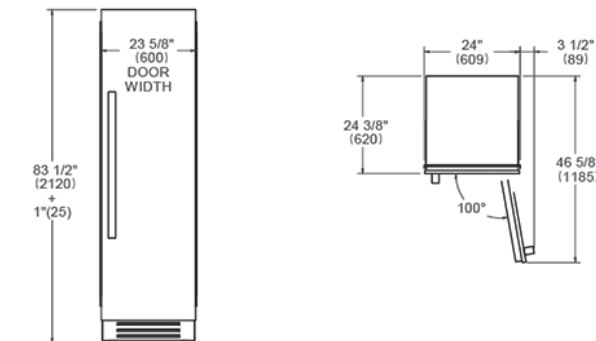
60cm Refrigerator Built-in Column H212, stainless steel, right hinges

Features

- Total No Frost cooling system
- flush installation
- stainless steel finish with coordinated handles
- inside digital display user interface
- LED lights on top and sides
- opening door alarm
- 4 extra-large shelves height adjustable
- 3 drawers
- 3 bins
- refrigerator capacity 368L
- noise level 41 (Db)

Optional Accessories

- 901556 Master handle kit
- 901557 Professional handle kit
- 901558 Heritage handle kit



LRD605UBRPTT/24

60cm Refrigerator Built-in Column H212, to panel, right hinges

Features

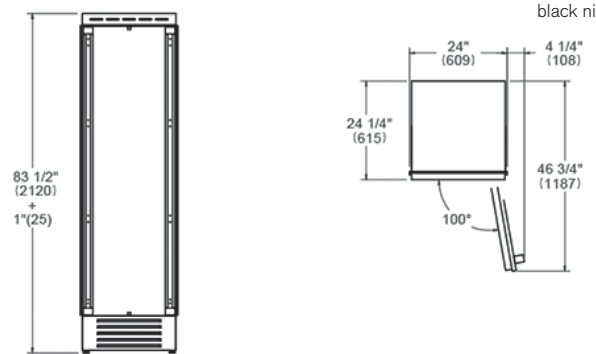
- Total No Frost cooling system
- flush installation
- to panel door
- inside digital display user interface
- LED lights on top and sides
- opening door alarm
- 4 extra-large shelves height adjustable
- 3 drawers
- 3 bins
- refrigerator capacity 368L
- noise level 41 (Db)

Optional Accessories*

- 901556 Master handle kit
- 901557 Professional handle kit
- 901558 Heritage handle kit
- 901665 carbonio panel
- 901669 Titanium finish handle kit



* Available Decor Set with gold, copper and black nickel finishes



Built-in Wine Columns

Slot-in Luxury



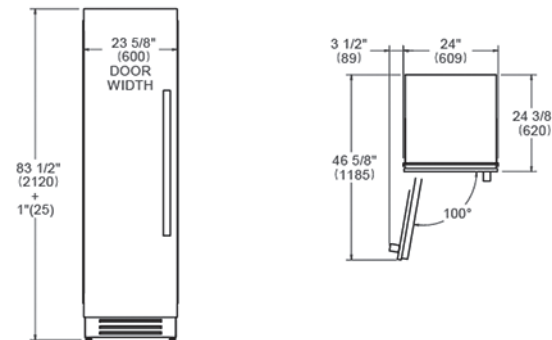
FRZ605UBLXTT/24
60cm Freezer Built-in Column H212, stainless steel, left hinges

- Features**
- Total No Frost cooling system
 - flush installation
 - stainless steel finish with coordinated handles
 - inside digital display user interface
 - LED lights on top and sides
 - opening door alarm
 - 2 shelves
 - 2 freezer drawers
 - 2 bins
 - automatic ice maker - ice production up to 1,3kg/24h
 - freezer capacity 342L
 - noise level 41 (Db)



- Optional Accessories***
- 901556 Master handle kit
 - 901557 Professional handle kit
 - 901558 Heritage handle kit

* Available Decor Set with gold, copper and black nickel finishes



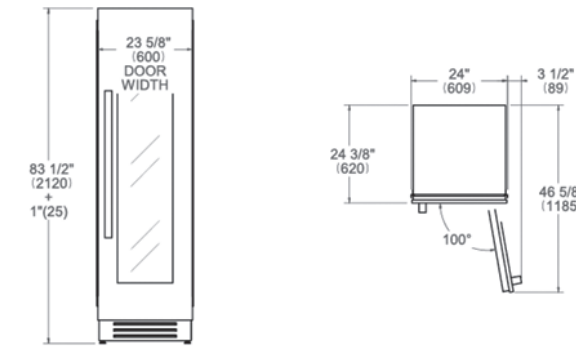
WC605BRX2T
60cm Built-in wine column H212, stainless steel, right hinges

- Features**
- Two separate temperature zones for red and white wine – between 4°C and 18°C
 - flush installation
 - stainless steel finish with coordinated handles
 - inside digital display user interface
 - LED lights on top and sides
 - opening door alarm
 - lateral air flow
 - ageing function for red wine
 - glass with anti-UV treatment protects bottles from ultraviolet rays and light damage
 - 12 premium solid wood shelves
 - total capacity 80 bottles
 - noise level 41 (Db)



- Optional Accessories***
- 901556 Master handle kit
 - 901557 Professional handle kit
 - 901558 Heritage handle kit

* Available Decor Set with gold, copper and black nickel finishes



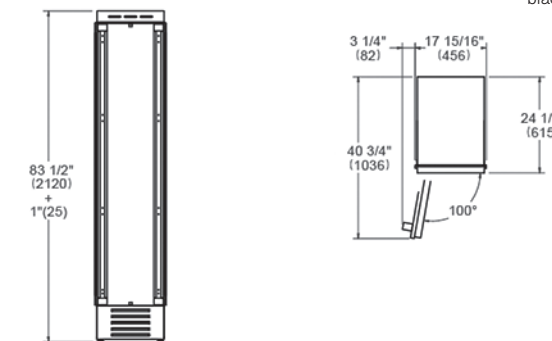
FRZ605UBLPTT/24
60cm Freezer Built-in Column H212, to panel, left hinges

- Features**
- Total No Frost cooling system
 - flush installation
 - to panel door
 - inside digital display user interface
 - LED lights on top and sides
 - opening door alarm
 - 2 shelves
 - 2 freezer drawers
 - 2 bins
 - automatic ice maker - ice production up to 1,3kg/24h
 - freezer capacity 342L
 - noise level 41 (Db)



- Optional Accessories***
- 901556 Master handle kit
 - 901557 Professional handle kit
 - 901558 Heritage handle kit
 - 901665 carbonio panel
 - 901669 Titanium finish handle kit

* Available Decor Set with gold, copper and black nickel finishes



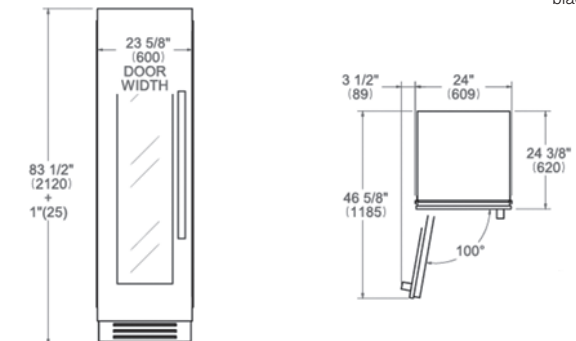
WC605BLX2T
60cm Built-in wine column H212, stainless steel, left hinges

- Features**
- Two separate temperature zones for red and white wine – between 4°C and 18°C
 - flush installation
 - stainless steel finish with coordinated handles
 - Inside digital display user interface
 - LED lights on top and sides
 - opening door alarm
 - lateral air flow
 - ageing function for red wine
 - glass with anti-UV treatment protects bottles from ultraviolet rays and light damage
 - 12 premium solid wood shelves
 - total capacity 80 bottles
 - noise level 41 (Db)



- Optional Accessories***
- 901556 Master handle kit
 - 901557 Professional handle kit
 - 901558 Heritage handle kit

* Available Decor Set with gold, copper and black nickel finishes





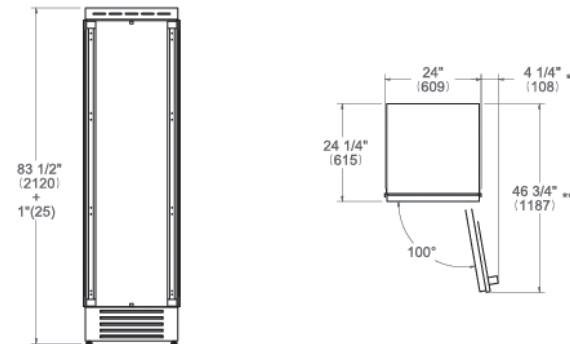
WC605BRP2T
60cm Built-in wine column H212, to panel, right hinges

- Features**
- Two separate temperature zones for red and white wine – between 4°C and 18°C
 - flush installation
 - to panel door
 - inside digital display user interface
 - LED lights on top and sides
 - opening door alarm
 - lateral air flow
 - ageing function for red wine
 - glass with anti-UV treatment protects bottles from ultraviolet rays and light damage
 - 12 premium solid wood shelves
 - total capacity 80 bottles
 - noise level 41 (Db)

- Optional Accessories***
- 901556 Master handle kit
 - 901557 Professional handle kit
 - 901558 Heritage handle kit
 - 901662 carbonio panel
 - 901669 Titanium finish handle kit



* Available Decor Set with gold, copper and black nickel finishes



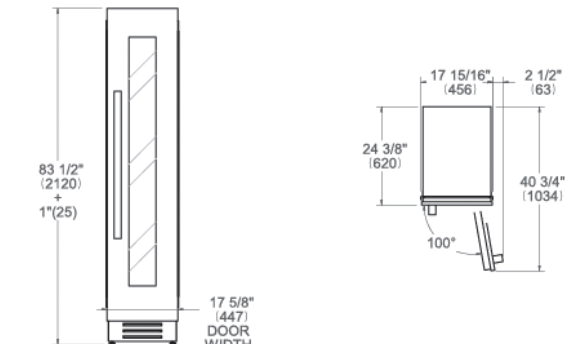
WC455BRX2T
45cm Built-in wine column H212, stainless steel, right hinges

- Features**
- Two separate temperature zones for red and white wine – between 4°C and 18°C
 - flush installation
 - stainless steel finish with coordinated handles
 - inside digital display user interface
 - LED lights on top and sides
 - opening door alarm
 - lateral air flow
 - ageing function for red wine
 - glass with anti-UV treatment protects bottles from ultraviolet rays and light damage
 - 12 premium solid wood shelves
 - total capacity 52 bottles
 - noise level 41 (Db)

- Optional Accessories***
- 901556 Master handle kit
 - 901557 Professional handle kit
 - 901558 Heritage handle kit



* Available Decor Set with gold, copper and black nickel finishes



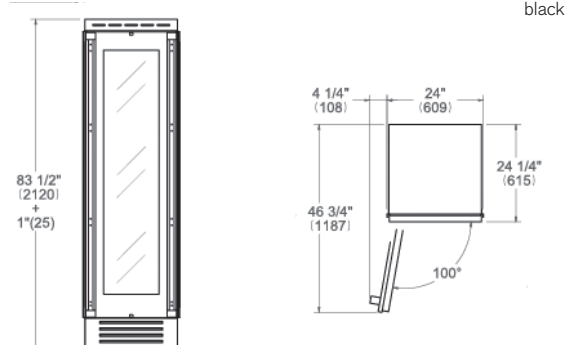
WC605BLP2T
60cm Built-in wine column H212, to panel, left hinges

- Features**
- Two separate temperature zones for red and white wine – between 4°C and 18°C
 - flush installation
 - to panel door
 - inside digital display user interface
 - LED lights on top and sides
 - opening door alarm
 - lateral air flow
 - ageing function for red wine
 - glass with anti-UV treatment protects bottles from ultraviolet rays and light damage
 - 12 premium solid wood shelves
 - total capacity 80 bottles
 - noise level 41 (Db)

- Optional Accessories***
- 901556 Master handle kit
 - 901557 Professional handle kit
 - 901558 Heritage handle kit
 - 901662 carbonio panel
 - 901669 Titanium finish handle kit



* Available Decor Set with gold, copper and black nickel finishes



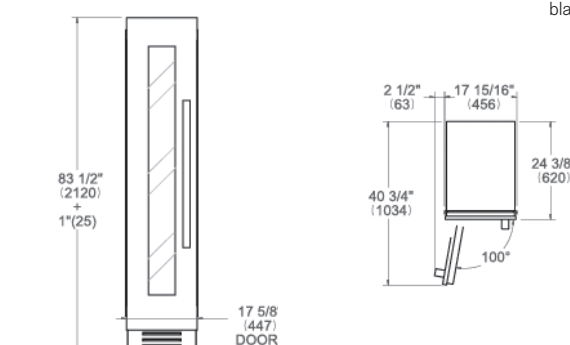
WC455BLX2T
45cm Built-in wine column H212, stainless steel, left hinges

- Features**
- Two separate temperature zones for red and white wine – between 4°C and 18°C
 - flush installation
 - stainless steel finish with coordinated handles
 - inside digital display user interface
 - LED lights on top and sides
 - opening door alarm
 - lateral air flow
 - ageing function for red wine
 - glass with anti-UV treatment protects bottles from ultraviolet rays and light damage
 - 12 premium solid wood shelves
 - total capacity 52 bottles
 - noise level 41 (Db)

- Optional Accessories***
- 901556 Master handle kit
 - 901557 Professional handle kit
 - 901558 Heritage handle kit



* Available Decor Set with gold, copper and black nickel finishes



Built-in Refrigerator Columns

Slot-in Premium



WC455BRP2T
45cm Built-in wine column H212, to panel, right hinges

Features

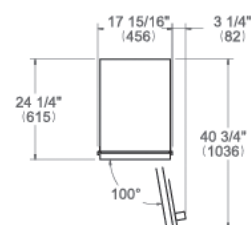
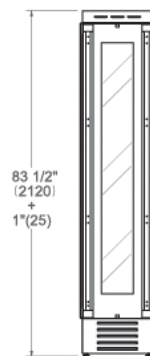
- Two separate temperature zones for red and white wine – between 4°C and 18°C
- flush installation
- to panel door
- inside digital display user interface
- LED lights on top and sides
- opening door alarm
- lateral air flow
- ageing function for red wine
- glass with anti-UV treatment protects bottles from ultraviolet rays and light damage
- 12 premium solid wood shelves
- total capacity 52 bottles
- noise level 41 (Db)

Optional Accessories*

- 901556 Master handle kit
- 901557 Professional handle kit
- 901558 Heritage handle kit
- 901663 carbonio panel
- 901669 Titanium finish handle kit



* Available Decor Set with gold, copper and black nickel finishes



WC455BLP2T
45cm Built-in wine column H212, to panel, left hinges

Features

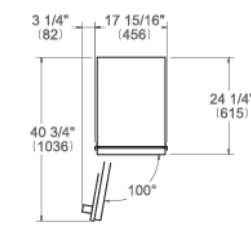
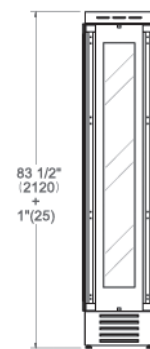
- Two separate temperature zones for red and white wine – between 4°C and 18°C
- flush installation
- to panel door
- inside digital display user interface
- LED lights on top and sides
- opening door alarm
- lateral air flow
- ageing function for red wine
- glass with anti-UV treatment protects bottles from ultraviolet rays and light damage
- 12 premium solid wood shelves
- total capacity 52 bottles
- noise level 41 (Db)

Optional Accessories*

- 901556 Master handle kit
- 901557 Professional handle kit
- 901558 Heritage handle kit
- 901663 carbonio panel
- 901669 Titanium finish handle kit



* Available Decor Set with gold, copper and black nickel finishes



NEW



RLD75S5FPNS
75cm Built-in Refrigerator Column H212, Fully Integrated

Features

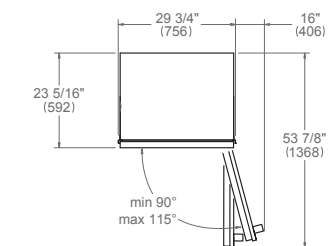
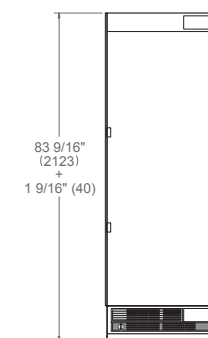
- No Frost cooling system
- flush kitchen installation
- panel-ready door up to 30kg (thickness 19–38mm)
- reversible self-supporting hinges
- internal touch LED display interface
- side and top LED lighting
- 3 height-adjustable shelves and 1 fixed shelf
- 1 drawer and 3 FreshZone drawers for fruit and vegetables with controlled temperature
- 2 fixed door bins and 1 height-adjustable bin for bulky containers
- refrigerator capacity: 470L
- noise level: 39dBA

Optional Accessories*

- 901556 Master handle kit
- 901557 Professional handle kit
- 901558 Heritage handle kit
- 901637 stainless steel panel kit
- 901666 carbonio panel
- 901669 Titanium finish handle kit



* Available Decor Set with gold, copper and black nickel finishes



* Dept without door
** Handle max dimension (19mm) door panel dept

NEW



RLD60S5FPNS
60cm Built-in Refrigerator Column H212, Fully Integrated

Features

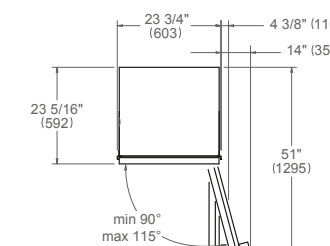
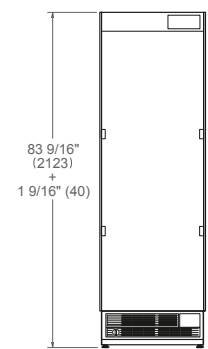
- No Frost cooling system
- flush kitchen installation
- panel-ready door up to 30kg (thickness 19–38mm)
- reversible self-supporting hinges
- internal touch LED display interface
- side and top LED lighting
- 3 height-adjustable shelves and 1 fixed shelf
- 1 drawer and 3 FreshZone drawers for fruit and vegetables with controlled temperature
- 2 fixed door bins and 1 height-adjustable bin for bulky containers
- refrigerator capacity: 357L
- noise level: 39dBA

Optional Accessories*

- 901556 Master handle kit
- 901557 Professional handle kit
- 901558 Heritage handle kit
- 901637 stainless steel panel kit
- 901666 carbonio panel
- 901669 Titanium finish handle kit



* Available Decor Set with gold, copper and black nickel finishes



* Dept without door
** Handle max dimension (19mm) door panel dept

Built-in Freezer Columns

Slot-in Premium



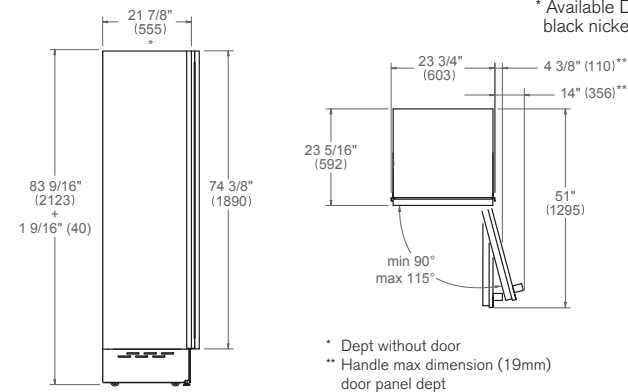
RFZ60S5FPNS
60cm Built-in Freezer Column H212, Fully Integrated

Features

- No Frost cooling system
- flush kitchen installation
- panel-ready door up to 30kg (thickness 19–38mm)
- reversible self-supporting hinges
- internal touch LED display interface
- side and top LED lighting
- 3 height-adjustable shelves and 1 fixed shelf
- 4 drawers
- 2 fixed door bins and 1 height-adjustable bin for bulky containers
- automatic ice dispenser – up to 1.8kg/24h
- built-in water filter
- freezer capacity: 352L
- noise level: 39dBA

Optional Accessories*

- 901556 Master handle kit
- 901557 Professional handle kit
- 901558 Heritage handle kit
- 901646 stainless steel panel kit
- 901665 carbonio panel
- 901669 Titanium finish handle kit



* Available Decor Set with gold, copper and black nickel finishes

* Dept without door
** Handle max dimension (19mm) door panel dept

Built-in wine columns

Slot-in Premium



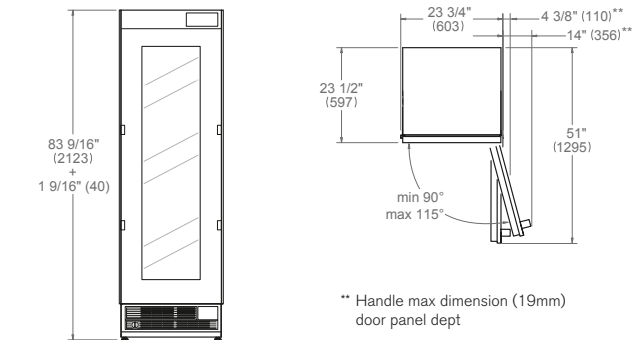
RWC60S5TPNS
60cm Built-in Wine Cellar H212, Fully Integrated

Features

- three temperature zones
- flush kitchen installation
- panel-ready door up to 30kg (thickness 19–38mm)
- reversible self-supporting hinges
- internal touch LED display interface
- internal LED lighting
- UV-protected glass door
- 14 beechwood bottle shelves
- wine cellar capacity: 100 bottles
- noise level: 39dBA

Optional Accessories*

- 901556 Master handle kit
- 901557 Professional handle kit
- 901558 Heritage handle kit
- 901662 carbonio panel
- 901669 Titanium finish handle kit



* Available Decor Set with gold, copper and black nickel finishes

** Handle max dimension (19mm) door panel dept



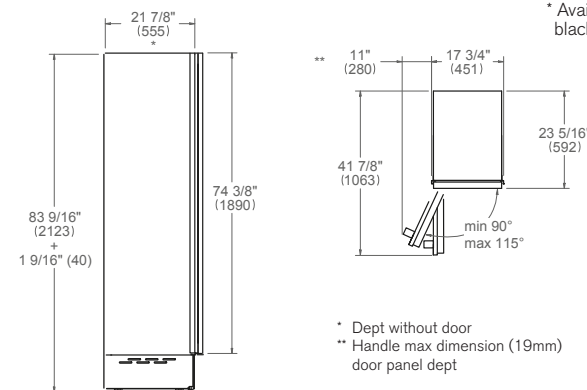
RFZ45S5FPLS
45cm Built-in Freezer Column H212, Fully Integrated

Features

- No Frost cooling system
- flush kitchen installation
- reversible panel-ready door
- internal touch LED display interface
- side and top LED lighting
- door open alarm
- 3 height-adjustable shelves and 1 fixed shelf
- 4 drawers
- 2 fixed door bins and 1 height-adjustable bin for bulky containers
- automatic ice dispenser – up to 1.8kg/24h
- Built-in water filter
- freezer capacity: 245L
- noise level: 39dBA

Optional Accessories*

- 901556 Master handle kit
- 901557 Professional handle kit
- 901558 Heritage handle kit
- 901636 Stainless steel panel kit



* Available Decor Set with gold, copper and black nickel finishes

* Dept without door
** Handle max dimension (19mm) door panel dept



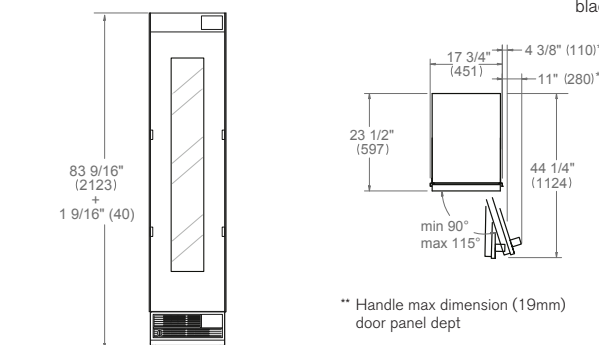
RWC45S5TPRS
45cm Built-in Wine Cellar H212, Fully Integrated, Right Hinge

Features

- three temperature zones
- flush kitchen installation
- panel-ready door up to 30kg (thickness 19–38mm)
- reversible self-supporting hinges
- internal touch LED display interface
- internal LED lighting
- UV-protected glass door
- 14 beechwood bottle shelves
- wine cellar capacity: 68 bottles
- noise level: 39dBA

Optional Accessories*

- 901556 Master handle kit
- 901557 Professional handle kit
- 901558 Heritage handle kit
- 901663 carbonio panel
- 901669 Titanium finish handle kit



* Available Decor Set with gold, copper and black nickel finishes

** Handle max dimension (19mm) door panel dept

Built-in bottom mount



REF905BBRXTT/24

90cm refrigerator H212, stainless steel door, right door hinges

Features

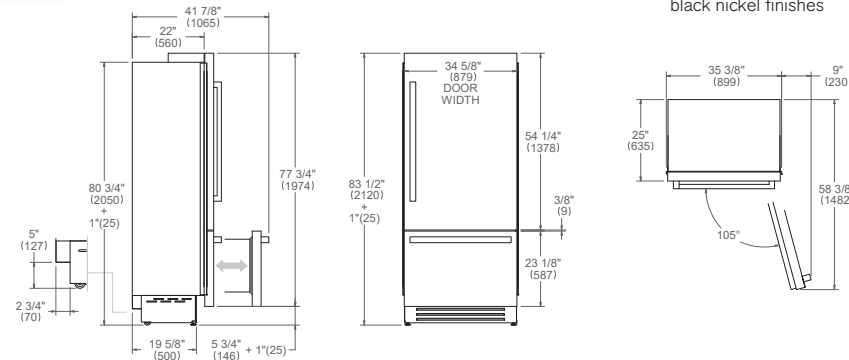
- Total No Frost cooling system
- stainless steel finish with coordinated handles
- inside digital display user interface
- LED lights on top and sides
- opening door alarm
- 2 crispers and 3 shelves
- 2 stainless steel refrigerator drawers with anti-bacterial treatment
- 1+1 freezer drawer with ice tray
- 3 door storage compartments
- ice maker
- refrigerator capacity 446lt, freezer capacity 150lt, total capacity 596lt
- 220-240 V, 50 Hz, Climatic class T/SN

Optional Accessories*

- 901470 side by side installation kit
- 901462 Professional handle kit
- 901463 Master handle kit
- 901509 Heritage handle kit



* Available Decor Set with gold, copper and black nickel finishes



REF905BBRPTT/24

90cm refrigerator H212, to panel door, right door hinges

Features

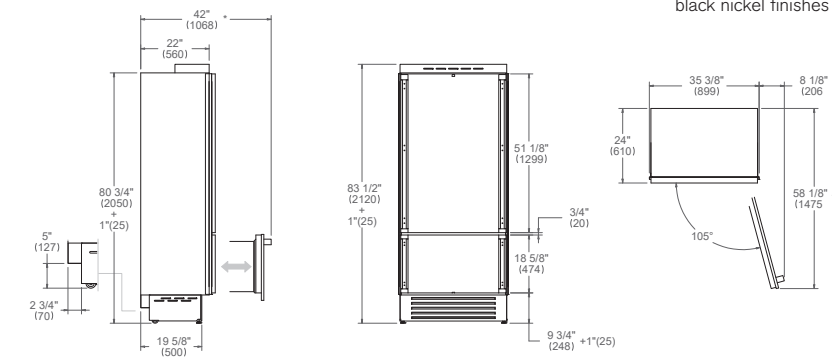
- Total No Frost cooling system
- stainless steel finish with coordinated handles
- inside digital display user interface
- LED lights on top and sides
- opening door alarm
- 2 crispers and 3 shelves
- 2 stainless steel refrigerator drawers with anti-bacterial treatment
- 1+1 freezer drawer with ice tray
- 3 door storage compartments
- ice maker
- refrigerator capacity 446lt, freezer capacity 150lt, total capacity 596lt
- 220-240 V, 50 Hz, Climatic class T/SN

Optional Accessories*

- 901470 side by side installation kit
- 901462 Professional handle kit
- 901463 Master handle kit
- 901509 Heritage handle kit



* Available Decor Set with gold, copper and black nickel finishes



REF905BBLXTT/24

90cm refrigerator H212, stainless steel door, left door hinges

Features

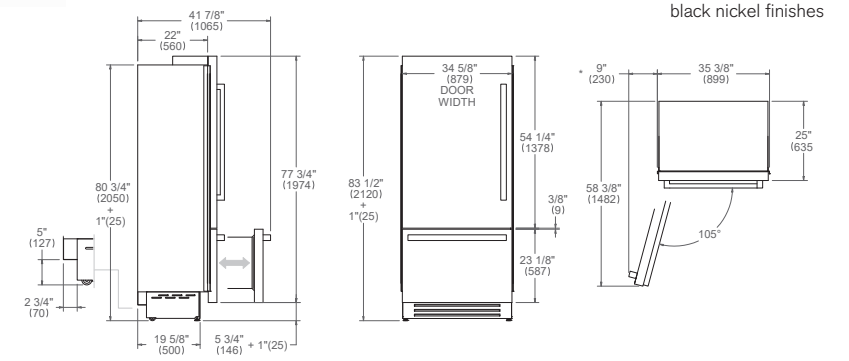
- Total No Frost cooling system
- stainless steel finish with coordinated handles
- inside digital display user interface
- LED lights on top and sides
- opening door alarm
- 2 crispers and 3 shelves
- 2 stainless steel refrigerator drawers with anti-bacterial treatment
- 1+1 freezer drawer with ice tray
- 3 door storage compartments
- ice maker
- refrigerator capacity 446lt, freezer capacity 150lt, total capacity 596lt
- 220-240 V, 50 Hz, Climatic class T/SN

Optional Accessories*

- 901470 side by side installation kit
- 901462 Professional handle kit
- 901463 Master handle kit
- 901509 Heritage handle kit



* Available Decor Set with gold, copper and black nickel finishes



REF905BBLPTT/24

90cm refrigerator H212, to panel door, left door hinges

Features

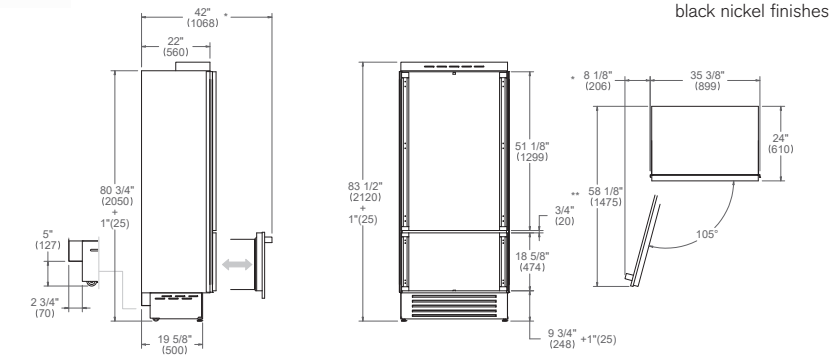
- Total No Frost cooling system
- stainless steel finish with coordinated handles
- inside digital display user interface
- LED lights on top and sides
- opening door alarm
- 2 crispers and 3 shelves
- 2 stainless steel refrigerator drawers with anti-bacterial treatment
- 1+1 freezer drawer with ice tray
- 3 door storage compartments
- ice maker
- refrigerator capacity 446lt, freezer capacity 150lt, total capacity 596lt
- 220-240 V, 50 Hz, Climatic class T/SN

Optional Accessories*

- 901469 side by side installation kit
- 901462 Professional handle kit
- 901463 Master handle kit
- 901509 Heritage handle kit



* Available Decor Set with gold, copper and black nickel finishes





REF755BBRXTT/24
75cm refrigerator H212, stainless steel door, right door hinges

Features

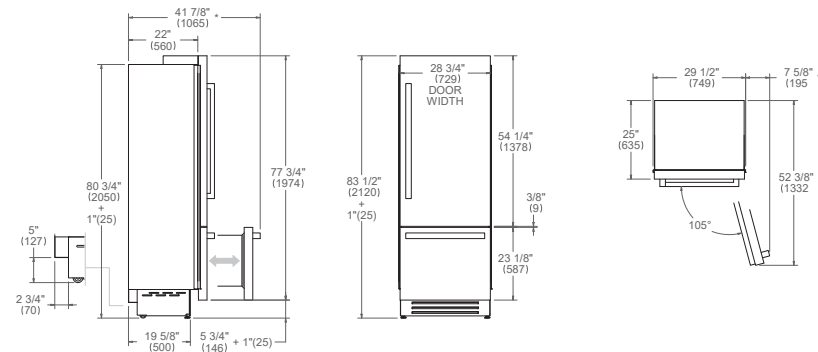
- Total No Frost cooling system
- Stainless steel finish with coordinated handles
- Inside digital display user interface
- LED lights on top and sides
- Opening door alarm
- 2 crispers and 3 shelves
- 2 stainless steel refrigerator drawers with anti-bacterial treatment
- 1+1 freezer drawer with ice tray
- 3 door storage compartments
- Ice maker
- Refrigerator capacity 353lt, freezer capacity 120lt, total capacity 473lt
- 220-240 V, 50 Hz, Climatic class T/SN

Optional Accessories*

- 901470 side by side installation kit
- 901467 Professional handle kit built-in style
- 901466 Master handle kit
- 901510 Heritage handle kit built-in style



* Available Decor Set with gold, copper and black nickel finishes



REF755BBRPTT/24
75cm refrigerator H212, to panel door, right door hinges

Features

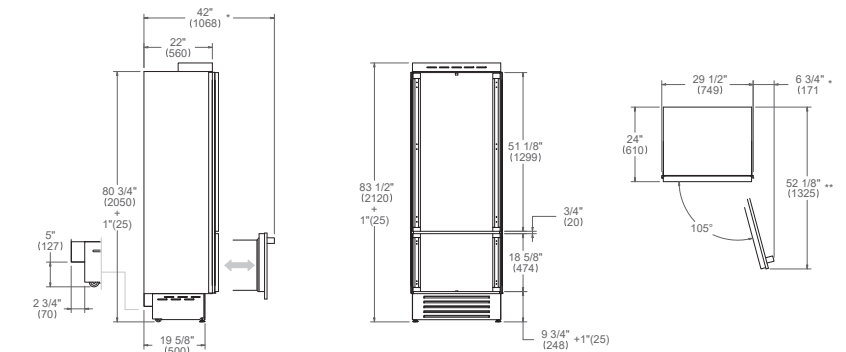
- Total No Frost cooling system
- Stainless steel finish with coordinated handles
- Inside digital display user interface
- LED lights on top and sides
- Opening door alarm
- 2 crispers and 3 shelves
- 2 stainless steel refrigerator drawers with anti-bacterial treatment
- 1+1 freezer drawer with ice tray
- 3 door storage compartments
- Ice maker
- Refrigerator capacity 353lt, freezer capacity 120lt, total capacity 473lt
- 220-240 V, 50 Hz, Climatic class T/SN

Optional Accessories*

- 901469 side by side installation kit
- 901467 Professional handle kit built-in style
- 901466 Master handle kit
- 901510 Heritage handle kit built-in style



* Available Decor Set with gold, copper and black nickel finishes



REF755BBLXTT/24
75cm refrigerator H212, stainless steel door, left door hinges

Features

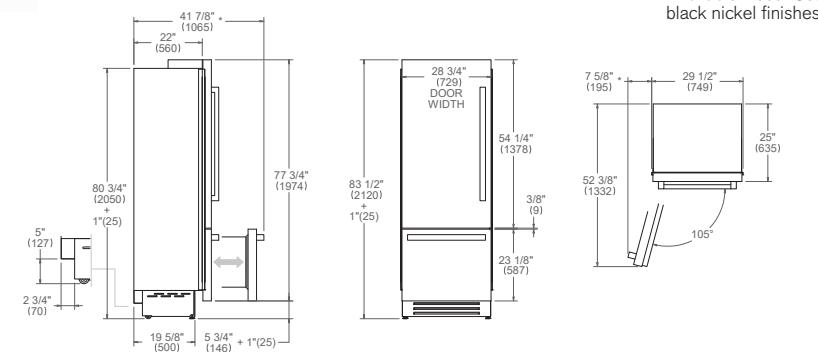
- Total No Frost cooling system
- Stainless steel finish with coordinated handles
- Inside digital display user interface
- LED lights on top and sides
- Opening door alarm
- 2 crispers and 3 shelves
- 2 stainless steel refrigerator drawers with anti-bacterial treatment
- 1+1 freezer drawer with ice tray
- 3 door storage compartments
- Ice maker
- Refrigerator capacity 353lt, freezer capacity 120lt, total capacity 473lt
- 220-240 V, 50 Hz, Climatic class T/SN

Optional Accessories*

- 901470 side by side installation kit
- 901467 Professional handle kit built-in style
- 901466 Master handle kit
- 901510 Heritage handle kit built-in style



* Available Decor Set with gold, copper and black nickel finishes



REF755BBLPTT/24
75cm refrigerator H212, to panel door, left door hinges

Features

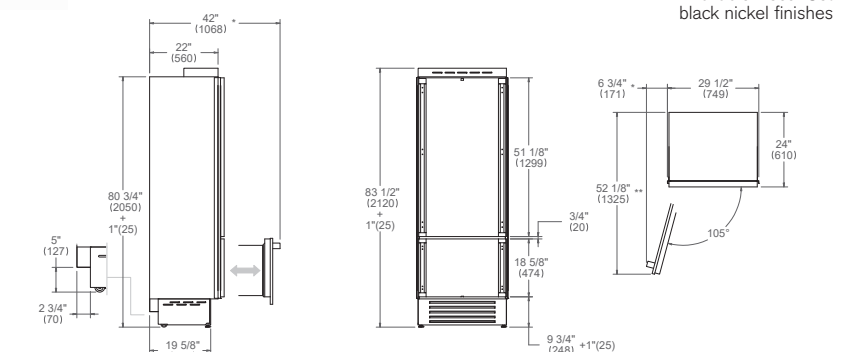
- Total No Frost cooling system
- Stainless steel finish with coordinated handles
- Inside digital display user interface
- LED lights on top and sides
- Opening door alarm
- 2 crispers and 3 shelves
- 2 stainless steel refrigerator drawers with anti-bacterial treatment
- 1+1 freezer drawer with ice tray
- 3 door storage compartments
- Ice maker
- Refrigerator capacity 353lt, freezer capacity 120lt, total capacity 473lt
- 220-240 V, 50 Hz, Climatic class T/SN

Optional Accessories*

- 901469 side by side installation kit
- 901467 Professional handle kit built-in style
- 901466 Master handle kit
- 901510 Heritage handle kit built-in style



* Available Decor Set with gold, copper and black nickel finishes



Built-in bottom mount and multi door

Slot-in Premium



RBM90S5FPNS

90cm bottom mount refrigerator H212, panel ready, right door hinges

Features

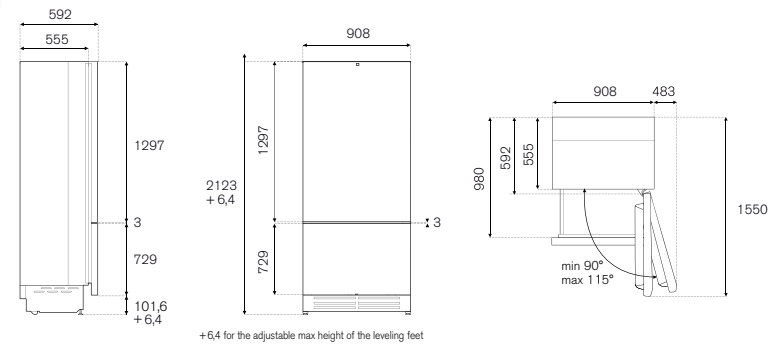
- Total No Frost cooling system
- flush installation
- panel ready reversible door
- internal LED touch interface
- LED lights on top and sides
- 1 refrigerator drawer + 1 Fresco drawer with separated humidity control
- 2 freezer drawers
- 2 adjustable bins + 1 gallon-sized bin
- automatic ice maker - 1,8kg/24h
- refrigerator capacity 399lt, freezer capacity 157lt, total 556lt

Optional Accessories*

- 901462 Professional handle kit
- 901463 Master handle kit
- 901509 Heritage handle kit
- 901602 connection kit for fridges
- 901609 stainless steel panel kit



* Available Decor Set with gold, copper and black nickel finishes



NEW



RFD90S5FPNS/24

90cm Built-in French Door H212, panel ready

Features

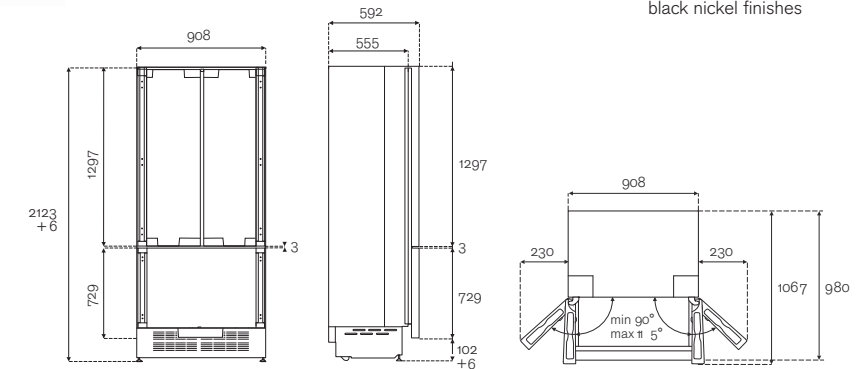
- Total No Frost cooling system
- panel ready with optional stainless door panel
- internal LED touch user interface
- LED lights on top and sides
- 2 refrigerator drawers + Fresco drawer with separated temperature control
- 2 freezer drawers
- 2 adjustable refrigerator shelves + 1 stationary
- 4 adjustable door bins + 2 adjustable gallon-sized bin
- automatic ice maker 1,8kg/24h
- refrigerator capacity 389lt, freezer capacity 157lt, total capacity 546lt

Optional Accessories*

- 901462 Professional handle kit
- 901463 Master handle kit
- 901509 Heritage handle kit
- 901642 stainless steel panel kit
- 901660 carbonio panel
- 901659 handle kit built-in French Door titanium finishes



* Available Decor Set with gold, copper and black nickel finishes



NEW



RBM75S5FPNS

75cm bottom mount refrigerator H212, panel ready, right door hinges

Features

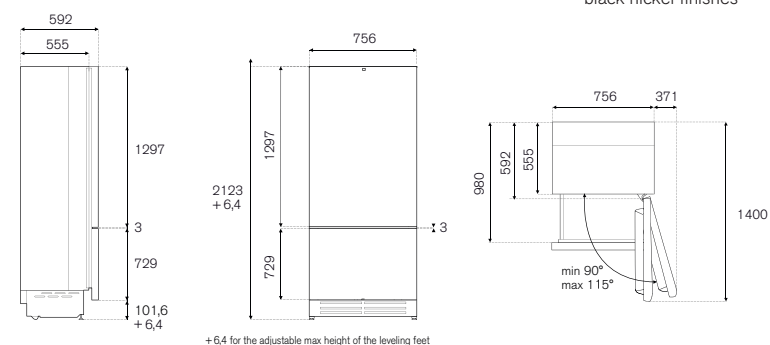
- Total No Frost cooling system
- flush installation
- panel ready reversible door
- internal LED touch interface
- LED lights on top and sides
- 1 refrigerator drawer + 1 Fresco drawer with separated humidity control
- 2 freezer drawers
- 2 adjustable bins + 1 gallon-sized bin
- automatic ice maker - 1,8kg/24h
- refrigerator capacity 323lt, freezer capacity 126lt, total 449lt

Optional Accessories*

- 901467 Professional handle kit
- 901466 Master handle kit
- 901510 Heritage handle kit
- 901602 connection kit for fridges
- 901605 stainless steel panel kit



* Available Decor Set with gold, copper and black nickel finishes



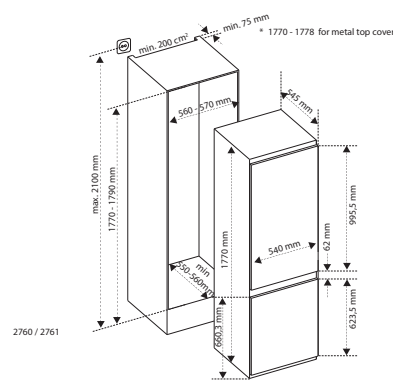
Built-in bottom mount

Freestanding Columns



REF603BBNPVC-S/20
60cm H177 sliding door

- Features**
- frost free cooling system
 - white finishes
 - inside digital display user interface
 - LED lights on top and sides
 - opening door alarm
 - 4 shelves + bottle compartment
 - 4 door storage compartments
 - 3 freezer drawers
 - manual ice maker with extractable tray
 - refrigerator capacity 180lt, freezer capacity 63lt, total capacity 242lt
 - 220-240 V, 50 Hz, Climatic class N/ST/T

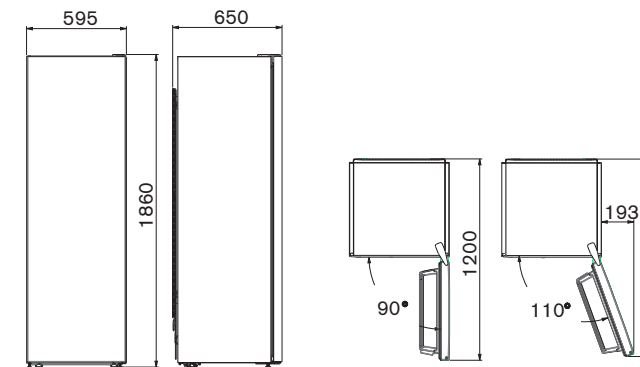


RLD60F4FXNC
60cm Freestanding Refrigerator Column H186

- Features**
- No Frost cooling system
 - reversible hinges
 - stainless steel door finish
 - internal touch LED interface
 - side and top LED lighting
 - 2 FrescoZero drawers with humidity control
 - 5 adjustable glass shelves + 1 fixed
 - 4 adjustable door bins + 1 for bulky containers
 - functions: temperature control, super cooling, economy mode
 - capacity: 389L

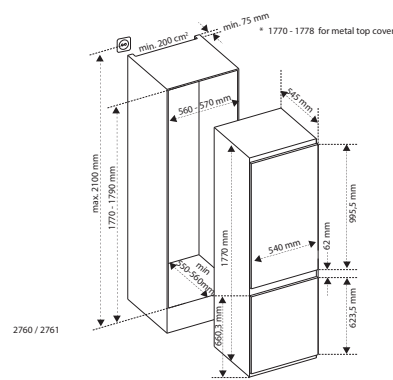


- Optional Accessories**
- 901598 Professional handle kit
 - 901597 Master handle kit



REF603BBNPVC/20
60cm H177 door on door

- Features**
- frost free cooling system
 - white finishes
 - inside digital display user interface
 - LED lights on top and sides
 - opening door alarm
 - 4 shelves + bottle compartment
 - 4 door storage compartments
 - 3 freezer drawers
 - manual ice maker with extractable tray
 - refrigerator capacity 180lt, freezer capacity 63lt, total capacity 242lt
 - 220-240 V, 50 Hz, Climatic class N/ST/T

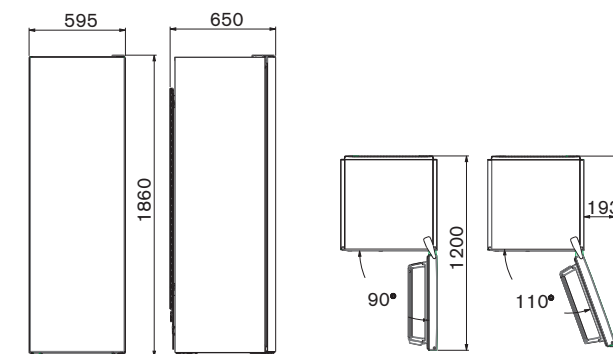


RFZ60F4FXNC
60cm Freestanding Freezer Column H186

- Features**
- No Frost cooling system
 - reversible hinges
 - stainless steel door finish
 - internal touch LED interface
 - top LED lighting
 - 5 drawers
 - 2 glass shelves
 - 2 door bins
 - manual ice dispenser
 - functions: economy mode, super freeze
 - capacity: 278L



- Optional Accessories**
- 901598 Professional handle kit
 - 901597 Master handle kit



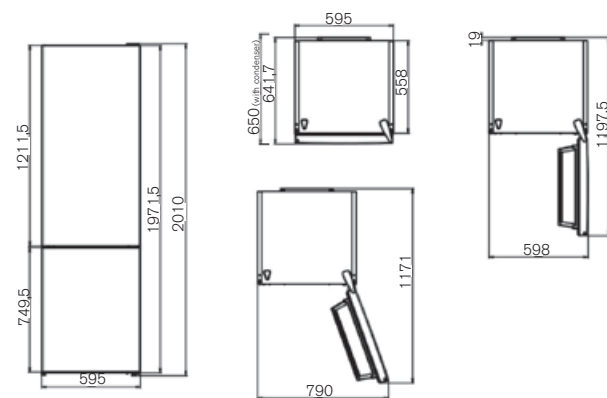
Freestanding Bottom Mount



RBM60F5FXNC
60cm Bottom Mount Refrigerator H201, Freestanding, Stainless Steel

- Features**
- total No Frost preservation system
 - internal touch LED interface
 - functions: eco mode, super freeze
 - side LED lighting
 - 1 humidity-adjustable crisper drawer + 1 chiller drawer (FrescoZero with humidity control)
 - 2 freezer drawers
 - 4 height-adjustable fridge shelves + 1 fixed
 - 3 adjustable door bins + 1 for bulky containers
 - fridge: 266L, Freezer: 101L, Total: 367L
 - PureBreeze UV antibacterial & antiviral

- Optional Accessories**
- 901598 Professional handle kit
 - 901597 Master handle kit

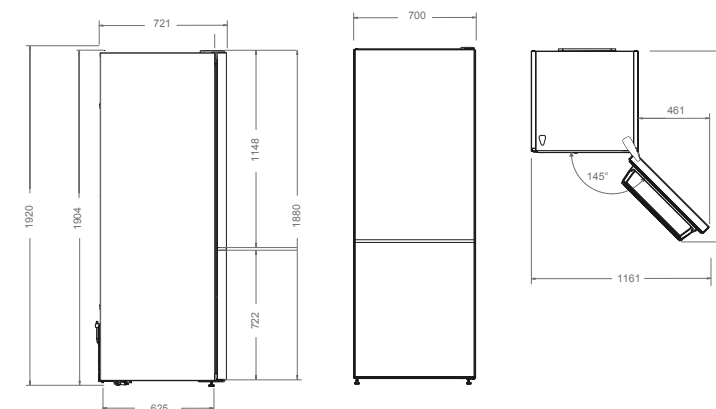
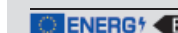


NEW



RBM70F4FBNC
70cm Bottom Mount Refrigerator H192, Freestanding, Black Glass

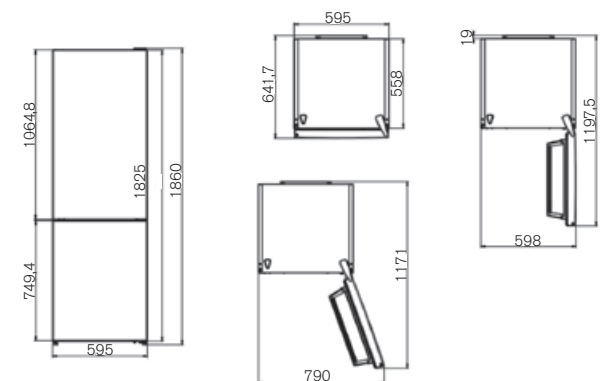
- Features**
- Total No Frost preservation system
 - internal touch LED display
 - functions: eco mode, super freeze
 - side LED lighting
 - 2 humidity-adjustable crisper drawers, including 1 FrescoZero drawer
 - 3 freezer drawers
 - 3 height-adjustable fridge shelves + 1 fixed
 - 3 adjustable door bins + 1 for bulky containers
 - manual ice dispenser with removable tray
 - fridge: 344L, Freezer: 137L, Total: 481L
 - PureBreeze UV antibacterial & antiviral
 - reversible door hinges
 - integrated handle



RBM60F4FXNC
60cm Bottom Mount Refrigerator H186, Freestanding, Stainless Steel

- Features**
- total No Frost preservation system
 - internal touch LED interface
 - functions: eco mode, super freeze
 - side LED lighting
 - 1 humidity-adjustable crisper drawer + 1 chiller drawer (FrescoZero with humidity control)
 - 3 freezer drawers
 - 3 height-adjustable fridge shelves + 1 fixed
 - 3 fridge door bins + 1 for bulky containers
 - fridge: 230L, Freezer: 101L, Total: 331L
 - PureBreeze UV antibacterial & antiviral

- Optional Accessories**
- 901598 Professional handle kit
 - 901597 Master handle kit

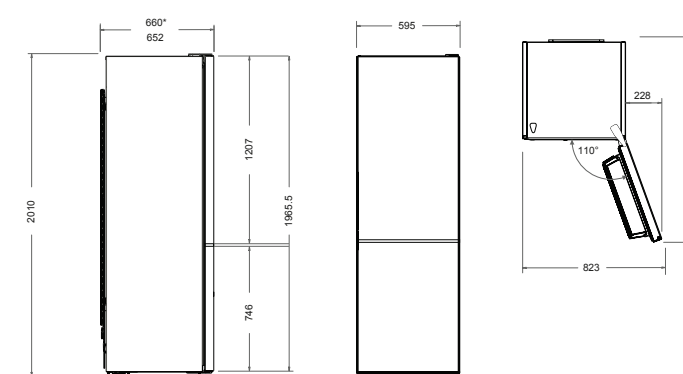
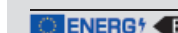


NEW



RBM60F5FBNC
60cm Bottom Mount Refrigerator H201, Freestanding, Black Glass

- Features**
- Total No Frost preservation system
 - internal touch LED display
 - functions: eco mode, super freeze
 - side LED lighting
 - 2 humidity-adjustable crisper drawers, including 1 FrescoZero drawer
 - 3 freezer drawers
 - 3 height-adjustable fridge shelves + 1 fixed
 - 3 adjustable door bins + 1 for bulky containers
 - manual ice dispenser with removable tray
 - fridge: 266L, Freezer: 101L, Total: 367L
 - PureBreeze UV antibacterial & antiviral
 - reversible door hinges
 - integrated handle



Freestanding Multi Door



REF904FFNXTC
90cm French Door Refrigerator H177 freestanding

Features

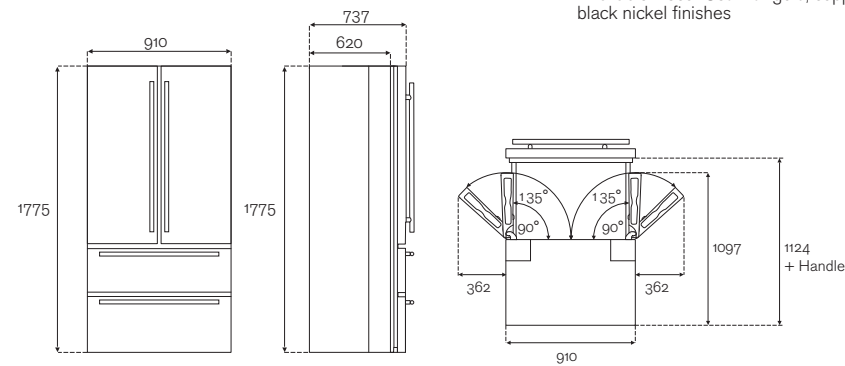
- Total No Frost cooling system
- stainless steel finishes
- LED touch user interface
- LED lights on top and sides
- opening door alarm
- vegetable and fruits drawer
- 2 stationary and 4 height-adjustable shelves
- 2 large refrigerator drawers +2 freezer drawers
- 2 stationary + 4 gallon-sized and height adjustable door storage compartment
- automatic ice maker
- refrigerator capacity 449lt, freezer capacity 187lt, total capacity 636lt



Optional Accessories*

- 901249 Professional handle kit
- 901248 Master handle kit
- 901250 Heritage handle kit
- 901588 bottle holder

* Available Decor Set with gold, copper and black nickel finishes



RCD84F4FXNC/24
90cm Cross Door Refrigerator H179, freestanding

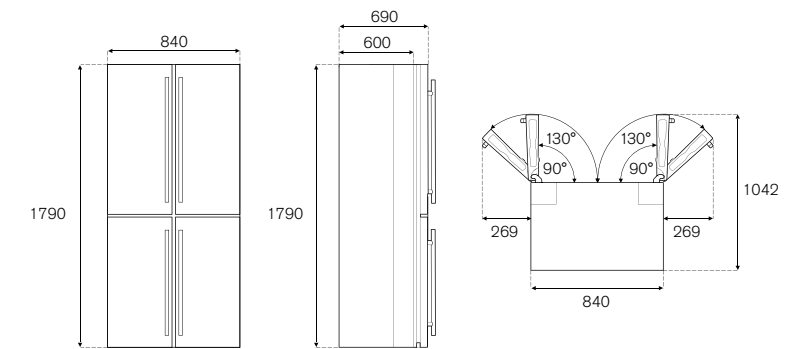
Features

- Total No Frost cooling system
- stainless steel finishes
- internal LED touch user interface
- sides LED lights
- 4 height-adjustable shelves + 1 stationary, 1 sliding freezer shelf + 1 stationary freezer shelf
- 1 refrigerator drawer humidity control + 1 FrescoZero drawer with adjustable humidity
- 4 freezer drawers
- 6 gallon-sized door bins
- manual ice maker
- refrigerator capacity 321lt, freezer capacity 166lt, total capacity 487lt



Optional Accessories

- 901600 Professional handle kit
- 901599 Master handle kit



Dishwashers



Fully integrated



Stainless steel door

Fully integrated dishwasher

60		60 XXL	
NEW	NEW	NEW	NEW
			
DW60S3IBPSS standard tub sliding hinges easy lift	DW60S3IAPSP standard tub sliding hinges	DW60S3IAPSC standard tub sliding hinges	DW60T3IBPSC extra large tub sliding hinges

60		45	
NEW	NEW	NEW	NEW
			
DW60S3IBPSV standard tub sliding hinges	DW60S3ICPDV standard tub door on door hinges	DW60S2IEPDV standard tub door on door hinges	DW45S3IEPDC standard tub door on door hinges

Built-in dishwasher stainless steel door

60
NEW

DW60S3UDXDP H60 standard tub door on door hinges
X

Fully integrated

NEW

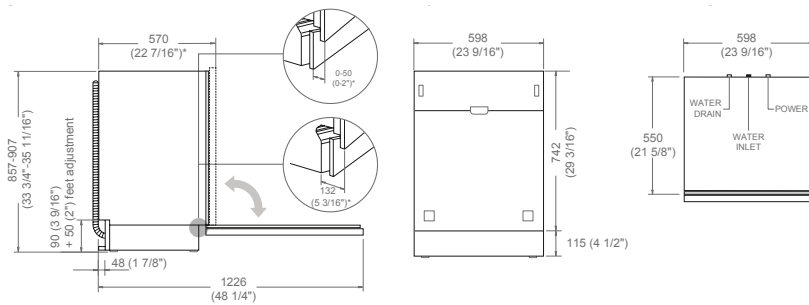


DW60T3IBPSC

60cm fully integrated built-in dishwasher, sliding hinges

Features

- extra-large tall tub
- LED display interface
- 2 baskets, upper adjustable
- 1 cutlery drawer
- 3 spray arms
- dish capacity: 16 place settings
- 9 wash programs
- 6 special wash functions
- drying system with automatic door opening
- side status light
- internal lighting: 4 LED lights
- noise level: 43dBA
- door panel weight capacity: up to 11kg
- plinth height: 20mm to 80mm



NEW



DW60S3IAPSP

60cm fully integrated built-in dishwasher, sliding hinges

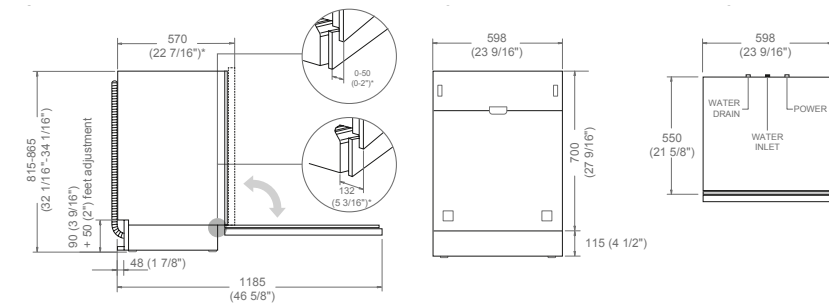
Features

- LED display interface
- 2 baskets, upper adjustable
- 1 cutlery drawer
- 3 spray arms
- dish capacity: 16 place settings
- 8 wash programs
- 7 special wash functions
- drying system with automatic door opening
- side status light
- internal lighting: 3 LED lights
- smart Auto Dose detergent dispenser
- noise level: 43dBA
- door panel weight capacity: up to 11kg
- plinth height: 20mm to 80mm



Optional Accessories

- 901661 carbonio panel
- 901668 Professional titanium handle kit



NEW



DW60S3IBPSS

60cm fully integrated built-in dishwasher, sliding hinges

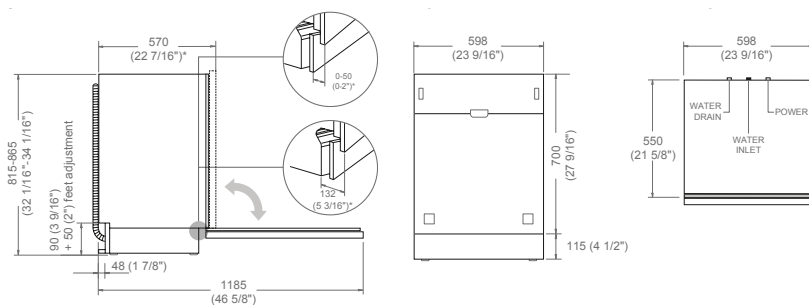
Features

- LED display interface
- 2 baskets, upper adjustable, lower with Easy Lift system
- 1 multifunctional cutlery drawer
- 3 spray arms + Direct Wash
- dish capacity: 14 place settings
- 9 wash programs
- 7 special wash functions
- drying system with automatic door opening
- side status light
- internal lighting: 2 LED lights
- smart Auto Dose detergent dispenser
- noise level: 43dBA
- door panel weight capacity: up to 11kg
- plinth height: 20mm to 80mm



Optional Accessories

- 901661 carbonio panel
- 901668 Professional titanium handle kit



NEW



DW60S3IAPSC

60cm fully integrated built-in dishwasher, sliding hinges

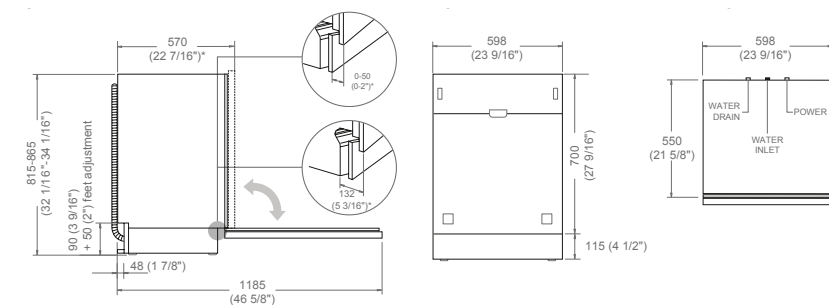
Features

- LED display interface
- 2 baskets, upper adjustable
- 1 cutlery drawer
- 3 spray arms
- dish capacity: 16 place settings
- 9 wash programs
- 6 special wash functions
- drying system with automatic door opening
- side status light
- internal lighting: 3 LED lights
- noise level: 43dBA
- door panel weight capacity: up to 11kg
- plinth height: 20mm to 80mm



Optional Accessories

- 901661 carbonio panel
- 901668 Professional titanium handle kit



Stainless steel door

NEW



DW60S3UDXDP

60cm built-in dishwasher, stainless steel door, standard hinges

Features

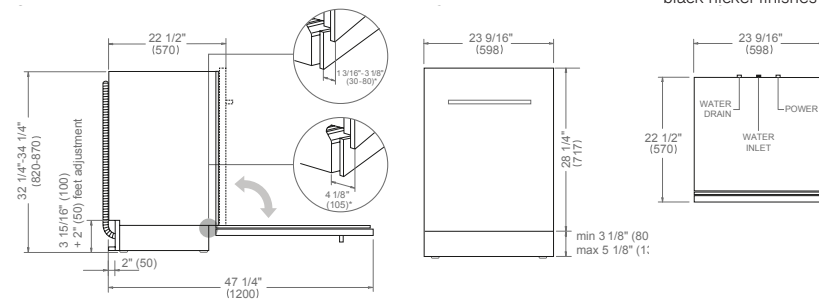
- LED display interface
- 2 baskets, upper adjustable
- 1 cutlery drawer
- 3 spray arms with Direct Wash
- dish capacity: 15 place settings
- 8 wash programs
- 6 special wash functions
- drying system with automatic door opening and Power Dry
- floor status light
- noise level: 41dBA
- plinth height: 80mm to 135mm

Optional Accessories

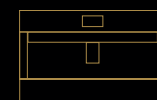
- 901622 Professional handle kit
- 901623 Master handle kit
- 901624 Heritage handle kit



* Available Decor Set with gold, copper and black nickel finishes



Built-in coffee machine



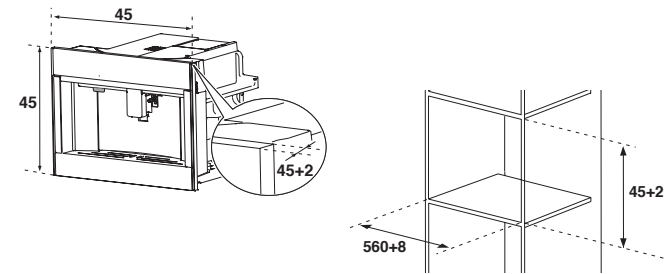
Built-in coffee machine

Built-in coffee machine

NEW

**CM45MOD2WTB****60x45cm Built-in coffee machine, TFT Display, black glass finish****Key Features**

- 4.3" full-touch TFT display
- 13 coffee and milk-based beverage options
- dual coffee input: beans or ground coffee
- cup-warming function
- milk frothing system with professional-style steam wand
- dedicated hot water dispenser
- coffee bean container capacity: up to 350g (approx. 40 espresso cups)
- adjustable coffee strength and temperature
- water tank capacity: 2.5 L
- simultaneous brewing of two coffees



Accessories

Accessories

COOKING ACCESSORIES



901483
120cm toe-kick for cookers
Professional and Heritage
Series

901482
100cm toe-kick for cookers
Professional and Heritage
Series

901356
100cm toe-kick for cookers
Professional Series carbonio
finishes

901481
90cm toe-kick for cookers
Professional and Heritage
Series



901674
Air-Fryer for 60cm
Built-in ovens



901652
Cast iron griddle for
induction hobs



901272
Porcelain tray for range cookers
with 114 L oven cavity



901273
Glass tray for range cookers
with 114 L oven cavity



901355
90cm toe-kick for cookers
Professional Series
carbonio finishes



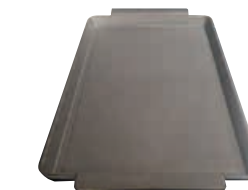
901389
60cm toe-kick for cookers
Professional and Heritage
Series



901309
Stainless steel griddle
for range cookers all series and all
range tops and db, qb hobs



PEN06
Cast iron griddle plate for all
range cookers, range tops and
hobs with gas burners



901608
Cast iron griddle for
induction cookers



901374
120cm toe-kick for cookers
Master Series



901375
100cm toe-kick for cookers
Master Series



901376
90cm toe-kick for cookers
Master Series



901377
60cm toe-kick for cookers
Master Series



901438
Simmer ring



901439
Wok adaptor



901511
Telescopic glide shelf support
all electric cavities



901490
Telescopic glides shelves for
60cm built-in oven



901614
H91 recirculation kit and toe-kick
stainless steel



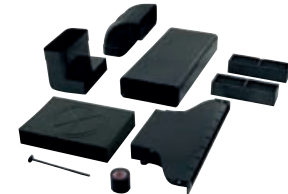
901615
H91 recirculation kit
and toe-kick carbonio



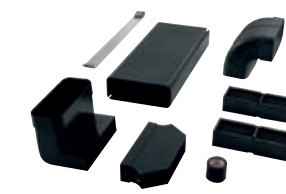
901616
H94 recirculation kit
and toe-kick stainless steel



901617
H94 recirculation kit
and toe-kick carbonio



901606
Filtering kit plinth-out



901607
Filtering kit plinth-in



901613
Kit charcoal filter long lasting



901523
Kit 2 charcoal filter for model
P9041BH2M30NT



901526
Kitchen plinth grill kit model
P904IBH2M30NT



901527
Right exit fitting kit model
P904IBH2M30NT



901528
Plus filter kit model
P904IBH2M30NT



901529
Plus filters model
P904IBH2M30NT

HOOD ACCESSORIES



901263
Medium duct cover
for ku hoods



901262
Narrow duct cover
for ku hoods



901281
Narrow duct cover short
for ku hoods



901255
Duct extension kit for model
hoods KU PRO, all sizes



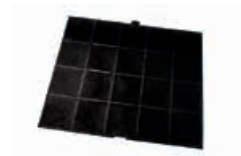
901456
Legs kit H100-135mm



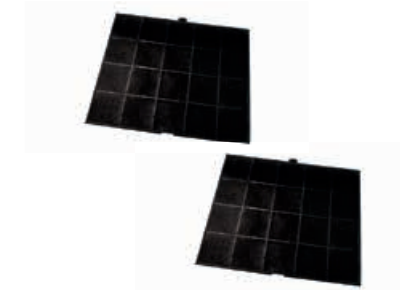
901650
Flat round grid for extractor hob
P804ICH2M30NT



901395
For CON models kit
carbon filter



901497
Kit carbon filter for hoods
model KT/KTI



901500
Kit carbon filter for hood
model KC90PRO1XA



901264
Y adaptor for KU hoods
2 motors



901332
30 cm cavity catalytic liners



901513
60 cm cavity set catalytic liners



901514
90 cm cavity set catalytic liners



901498
Kit carbon filter for hood mod-
el KV90PRO1NA



901499
Kit carbon filter for hood
models KV90MOD1NA/ KIN/KR/KUD



901394
For PRO/AM/HER models
kit carbon filter



901368
120 backsplash
Dimensions W 1195 – H 690mm



901367
100 backsplash
Dimensions W 995 – H 690mm



901348
90 backsplash
Dimensions W 895 – H 690mm



901347
60 backsplash
Dimensions W 595 – H 690mm



901677
Plinth-out filter kit for induction hob
80 cm with integrated central hood
P804ICH2M30NT



901678
Plinth-in filter kit for induction hob
80 cm with integrated central hood
P804ICH2M30NT



901679
Plinth-in filter kit for induction hob
60/80 cm with integrated central hood
P804ICH30NP and P604ICH30NP



901680
Plinth-out filter kit for induction hob
80 cm with integrated central hood
P804ICH2M37NT and P804ICH2M30NC

REFRIGERATOR ACCESSORIES



901469
Installation kit side by side
built-in refrigerators



901470
Installation kit side by side
built-in refrigerators stainless
steel



901602
Connection kit for fridges
RBM90/75_S5FPNS



901467
Handle kit built-in refrigerators
75cm Professional series



901556
Handle kit Columns
Master Series



901557
Handle kit Columns
Professional Series



901558
Handle kit Columns
Heritage Series



901669
Handle kit Columns Professional
Series titanium finishes



901466
Handle kit built-in refrigerators
75cm Master series



901510
Handle kit built-in refrigerators
75cm Heritage series



901463
Handle kit built-in refrigerators
90cm Master series



901509
Handle kit built-in refrigerators
90cm Heritage series



901597
Kit lateral handles
Master Series



901598
Kit lateral handles
Professional Series



901599
Kit frontal handles
Master Cross door Series



901600
Kit frontal handles
Professional Cross door Series



901462
Handle kit built-in refrigerators
90cm Professional series



901619
Handles kit for Built-in French Door
90cm Heritage Series



901620
Handles kit for Built-in French Door
90cm Master Series



901621
Handles kit for Built-in French Door
90cm Professional Series



901636
Stainless steel panel for
columns 45cm



901646
Stainless steel panel for 60cm
fridge and freezer Premium
columns



901637
Stainless steel panel for
75cm columns



901642
Stainless steel panel for 90cm
built-in French door



901249
Handle kit French Door refrigerators
90cm Professional series



901248
Handle kit French Door refrigerators
90cm Master series



901250
Handle kit French Door refrigerators
90cm Heritage series



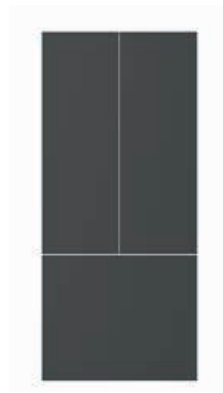
901659
Handle kit built-in French Door
Professional Series titanium finishes



901609
Stainless steel panel kit
RBM90S5FPNS



901605
Stainless steel panel kit
RBM75S5FPNS



901660
Carbonio panel for 90cm
built-in French door



901664
Carbonio panel for 90cm
columns



901665
Carbonio panel for 60cm
columns



901666
Carbonio panel for 75cm
columns



901667
Carbonio panel for 45cm
columns



901663
Carbonio panel for 45cm
wine columns



901662
Carbonio panel for 60cm
wine columns



901588
Bottle holder for 90cm
French Door

DISHWASHER ACCESSORIES



901622
Handle kit for 60cm
dishwashers Professional Series
stainless steel door



901623
Handle kit for 60cm
dishwashers Master Series
stainless steel door



901624
Handle kit for 60cm
dishwashers Heritage Series stainless
steel door



901668
Handle kit for 60cm
dishwasher Professional Series
titanium finishes



901661
Carbonio panel for 60cm
dishwashers

DECOR SET



901592
Decor set Gold finishes for cookers – kit with 13 control knobs and 8 handle finials

901593
Decor set Copper finishes for cookers – kit with 13 control knobs and 8 handle finials

901594
Decor set Nero nickel finishes for cookers – kit with 13 control knobs and 8 handle finials



901541
Décor Set Gold finishes for Refrigerators and dishwashers - kit with 6 handle finials

901538
Décor Set Copper finishes for Refrigerators and dishwashers - kit with 6 handle finials

901539
Décor Set Black nickel finishes for Refrigerators and dishwashers - kit with 6 handle finials



901673
Décor set Gold finishes for hoods, refrigerators and dishwashers – kit with 2 handle finials

901675
Décor set Nero nickel finishes for hoods, refrigerators and dishwashers – kit with 2 handle finials

901676
Décor set Copper finishes for hoods, refrigerators and dishwashers – kit with 2 handle finials

BERTAZZONI.COM

Photography:
Giuseppe Brancato,
Julian Anderson,
Alessandro Zoboli,
Dik Nicolai,
Phil Sayer

Printed in Italy
©Bertazzoni SpA 2025

Warranty

All Bertazzoni appliances are guaranteed for two years. Please note that all warranties relate to domestic installations only and not commercial.

Where to buy your Bertazzoni appliance

Bertazzoni authorised retailers are selected carefully and undergo thorough product training to ensure they have the required expertise and knowledge to assist you in selecting your appliance. Please visit uk.bertazzoni.com to find your nearest retailer.

Technical advice and after sales service

For service please contact
ukservice@bertazzoni.com
Phone 0330 0539185.

Disclaimer

While every effort has been made to ensure the accuracy of the information contained in this brochure, Fratelli Bertazzoni reserves the right to change any part of the information at any time without notice.

Fratelli Bertazzoni, Bertazzoni and the winged wheel brand icon are registered trademarks of Bertazzoni SpA.

Key to icons used in these specifications

- | | |
|-----------------------------|------------------------------|
| bake | light |
| convection bake | timer |
| fast preheat | sterilize function |
| large grill | microwave function |
| grill | combi-microwave |
| turbo grill | combi-steamer |
| convection (electric ovens) | microwave and grill function |
| fan (gas ovens) | special functions |
| turbo/pizza function | defrosting |
| bottom bake | warming |
| assistant | proofing |
| total steam | turnspit and grill |
| clean | ECO function |

Disclaimer

Please check with your dealer before making a final purchase decision based on these specifications. While every care is taken to insure that the information in these pages is correct it may be subject to technical inaccuracies or typographical errors.

